



A complete line of motor mounts designed specifically for heavy duty watercraft applications. Monkey Grip Motor Mounts are designed to be stronger than OEM mounts, yet able to dampen and isolate vibration far better than performance mounts currently available. This combination of durability and performance make Monkey Grip the right choice. Monkey Grip Motor Mounts are available for all popular watercraft.*



Part No. 57-1172*

Yamaha Wave Blaster	93-96
Yamaha 701FX	94-95
Yamaha Wave Blaster II	96-97



Part No. 57-1162*

Yamaha 650 Super Jet	All Years
Yamaha 701 Super Jet	All Years

Part No. 57-1152*

Yamaha Wave Runner 500	All Years
Yamaha 650 VXR	91-95
Yamaha 650LX	90-93
Yamaha 650 Wave Runner III	90-96
Yamaha 701 VXR	93-94
Yamaha 701 Wave Runner	93-00
Yamaha Wave Runner III GP	84-95
Yamaha 701 Pro VXR	93-94
Yamaha Wave Runner III 650	90-96
Yamaha Wave Raider 700	94-97
Yamaha Wave Runner III 700	97
Yamaha XL 700	99-04
Yamaha GP 800	98-00
Yamaha XL 800	00-01
Yamaha XLT 800	02-04
Yamaha GP 1200	97-99
Yamaha XL 1200	98
Yamaha 700 Venture	95-96
Yamaha 701 FX	94-95
Yamaha 760 GP	97-00
Yamaha 701 Wave Raider	96
Yamaha 760 XL	98-99
Yamaha Wave Venture	97
Yamaha Wave Raider 1100	95-96
Yamaha Wave Venture 1100	96-97
Yamaha 1200 SUV	99-04



Part No. 57-1174*

Yamaha 1200 XL LTD.	99-00
Yamaha 1200 XLT	01-05



Part No. 57-1173*

Yamaha 1200R GPR	00-01
Yamaha 1300 GP	04-06
Yamaha FX 140	02-04
Yamaha FX 1100	04-06
Yamaha VX 1100	05-06
Yamaha FX CRUISER	04-06



Part No. 57-1196*

Polaris SL650	92-93
Polaris SL750	93
Polaris 650 SL	94-95
Polaris 750 SL	94
Polaris 780	All



Tiger Shark

All Models 93-95,	Part No. 57-1175*
Montego 96, Monte Carlo 640/900 96	



Part No. 57-1197*

Polaris 700/900/1050	All
All SMC Hulls	Late Models

***Installation Warning-Alert!** When changing the PWC motor mounts you must refer to the PWC Manufacturers Repair Manual for the proper installation instructions and the torque settings. If these instructions and torque setting are not followed properly damage may occur. Hot Products is not responsible for any damages incurred.



01-07-511 Installation Shown



BLOWSION ENGINE KEEPERS JOE KENNEY DESIGN

Kenney Keepers are a must have for any hardcore surf or flat-water invert artist. Each set contains a left and right side front mount retainer and extended stainless hardware for install. Our unique close tolerance design retains the front, "top heavy" weight of the engine block from being flexed or thrown forward during flat out and invert maneuvers. Since this is a common occurrence (even in flat water racing action), we have also found them to be excellent insurance against ever having to replace expensive engine mounts again.

Description	Part No.
Yamaha SJ 96+	01-03-802
Kawasaki 750SXI/800SXR	01-03-801



Part No. 57-1122*
Kawasaki 440/550 All



Part No. 57-1142*
Kawasaki 650 All
Kawasaki 750 (Except ZXI) All
Kawasaki 800SX-R 03-08



Part No. 57-1143*
Kawasaki 750 ZXI Rear All
Kawasaki 900 ZXI Rear All
Kawasaki 1100 ZXI Rear All
Kawasaki Ultra 150 Rear All
Kawasaki STX 12F Rear All
Kawasaki STX-R Rear All
Kawasaki STX 15-F Rear All



Part No. 57-1144*
Kawasaki Ultra 150 Front All
Kawasaki STX-R Front All



ENGINE SHIMS

Engine shims are essential for precise engine alignment. R&D Engine Shims have a tab that provides easy insertion and removal. Shims are made of stainless steel and have etched numbers to identify thickness.

Description	Thickness	Part No.
Engine Shims	.010"	050-00010*
Engine Shims	.020"	050-00020*
Engine Shims	.050"	050-00050*
Engine Shims	.100"	050-00100*



Part No. 57-1185* (Front - 1 required)
Sea Doo GTI LE RFI 03
Sea Doo GTX RFI 98-02
Sea Doo XP 00-02
Sea Doo XP DI 03-04
Sea Doo XP LTD 98-99



Part No. 57-1183F* (Front - 1 required)
Sea Doo GSX 96-98
Sea Doo GSX LTD 98
Sea Doo GTX 96-97
Sea Doo GTX LTD 98
Sea Doo SPX 97-98
Sea Doo XP 96-97



Part No. 57-1182*
Sea Doo 580/650/720 All



Part No. 57-1188* (Rear - 2 required)
Sea Doo GTI 06-07
Sea Doo GTI RENTAL 06-07
Sea Doo GTI RFI 04-05
Sea Doo GTI LE RFI 04-05
Sea Doo GTI SE 06-07
Sea Doo GTI 4-TEC SE NA 07
Sea Doo GTX 4-TEC 02-07
Sea Doo GTX 4-TEC SC 03-06
Sea Doo GTX 4-TEC SCIC 05
Sea Doo GTX 4-TEC LTD SC 06
Sea Doo GTX 4-TEC LTD SC 03-04
Sea Doo GTX LTD BVIC 07
Sea Doo GTX 4-TEC WAKE 03-07
Sea Doo RXP 05-07
Sea Doo RXP BVIC 07
Sea Doo RXP SC 05
Sea Doo RXT 05-06
Sea Doo BVIC 07



Part No. 57-1183R* (Rear - 2 required)
Sea Doo GSX 96-98
Sea Doo GSX LTD 98-99
Sea Doo GSX RFI 99-00
Sea Doo GTI LE RFI 03
Sea Doo GTX 96-97
Sea Doo GTX 00-02
Sea Doo GTX DI 00-03
Sea Doo GTX LTD 98-99
Sea Doo GTX RFI 98-02
Sea Doo LRV 00-01
Sea Doo LRV DI 02
Sea Doo RX 00-02
Sea Doo RX DI 00-03
Sea Doo RXX 01
Sea Doo SPX 97-99
Sea Doo XP 96-97
Sea Doo XP DI 03-04
Sea Doo XP LTD 98-99



Part No. 57-1186* (Front - 1 required)
Sea Doo GTI RFI 04-05
Sea Doo GTI LE RFI 04-05
Sea Doo 3D RFI 05
Sea Doo GTI 06-07
Sea Doo GTI RENTAL 06-07
Sea Doo GTI SE 06-07



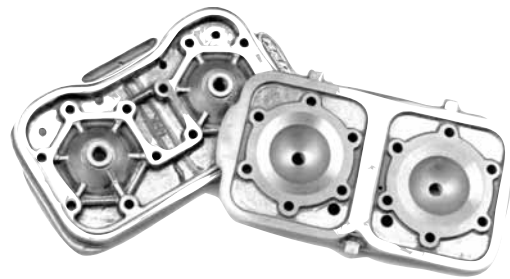
Part No. 57-1187* (Front - 1 required)
Sea Doo GTX 4-TEC 02-07
Sea Doo GTX 4-TEC WAKE 04-07
Sea Doo GTX 4-TEC SC 03-06
Sea Doo GTX 4-TEC LTD SC 03-04
Sea Doo GTX 4-TEC LTD 06
Sea Doo GTX 4-TEC LTD SCIC 05
Sea Doo GTX LTD & WAKE BVIC 07
Sea Doo RXP 05-07
Sea Doo RXP SC 04-06
Sea Doo RXP BVIC 07
Sea Doo RXT 05-06
Sea Doo RXT BVIC 07

FOUR STROKE	INTAKE SYSTEMS	ENGINE/ GASKETS	EXHAUST	DRIVE LINE HANDLING	ELECTRICAL	WATERLINE /BLIGE	STEERING & CONTROLS	BODY	ACCESSORIES	SERVICE TOOLS /HARDWARE	CHEMICAL
-------------	----------------	-----------------	---------	---------------------	------------	------------------	---------------------	------	-------------	-------------------------	----------



FOUR STROKE
INTAKE SYSTEMS
ENGINE/GASKETS
EXHAUST
DRIVE LINE HANDLING
ELECTRICAL
WATERLINE /BILGE
STEERING & CONTROLS
BODY
SERVICE TOOLS ACCESSORIES
SERVICE TOOLS /HARDWARE
CHEMICAL

R&D Pro Series Cast CNC Machined heads are an economical alternative to the remachining of the Stock OEM Head, which many times crack and don't seal or cool properly after being modified. Pro Series Heads incorporate larger water volumes, improved circulation for superb cooling and O-Ring design for maximum sealing.



Sea Doo 800

Sea Doo **Part No.**
800 Limited/Recreational pump gas spec. 43cc **413-80043**



Yamaha 701 Ltd

Yamaha **Part No.**
701 Limited/Recreational 35cc **412-70035**
701/760 O-Ring set of 2 **080-76000**



Yamaha GP1300R

Yamaha **Part No.**
GP1300R Head Kit 45cc **412-13045**
GP1200R/XLL1200 41cc **412-20041**
GPR Head Girdle Hardware Kit **412-12000**
*Girdle kit is optional



Kawasaki 750/800

Kawasaki **Part No.**
750/800 23cc **411-75023**
750/800 25cc **411-75025**
750/800 26cc **411-75026**
750/800 27cc **411-75027**
750 O-Ring Set of 2 **080-75000**
800 SXR 28cc **411-80028**
800 SXR 29cc **411-80029**
800 O-Ring Set of 2 **080-80000**
750/800 Girdle Hardware Kit **411-75000**
*Girdle kit is optional



Kawasaki **Part No.**
Ultra 150/STX-R 1200 Recreational 42cc **411-15042**
Ultra Head Girdle Hardware Kit **411-15000**



STAINLESS STEEL HEAD NUTS

8mm Stainless Steel Acorn Head Nuts fits most Kawasaki.

Description **Part No.**
Acorn Head Nuts (10 pieces per bag) **63-1008**



2010 KINGS CUP IN THAILAND



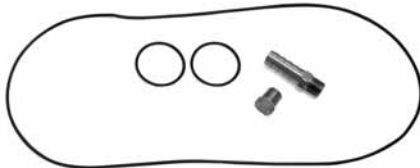
KA800G

KA800M
KAWASAKI
800SXR/750
GIRDLE HEAD
SHELL



ADA 800SXR/750
Throttle/Choke Cable Bracket

KA750
KAWASAKI
800SX-R/750
NON-GIRDLE
BILLET
HEAD SHELL



ADA KAWASAKI 800SXR BILLET GIRDLE HEAD

This head uses the stock head bolts and is completely sealed by O-rings, no head gasket required. Dual water outlets for additional cooling. This head will work with Factory Pipe's 800 dry pipe.

Kawasaki	Part No.
ADA 800SXR/750 Girdle Head Shell**	KA800M
ADA 800SXR Girdle Kit	KA800G
ADA 800SXR Dome 22cc (225 lbs.-114 Octane)	KA8022
ADA 800SXR Dome 24cc (216 lbs.-110 Octane)	KA8024
ADA 800SXR Dome 26cc (208 lbs.-105 Octane)	KA8026
ADA 800SXR Dome 28cc (200 lbs.-98 Octane)	KA8028
ADA 800SXR Dome 30cc (190 lbs.-95 Octane)	KA8030
ADA 800SXR Dome 32cc (180 lbs.-91 Octane)	KA8032
ADA 800SXR/750 Throttle/Choke Cable Bracket	KA800BRK-CARB
to use with stock carburetors with ADA Billet Girdle Head	
ADA 800SXR O-Ring Kit	ORKITK750

***All ADA Domes are sold individually

ADA KAWASAKI 800 SXR LIMITED SPEC. DOMES

Billet limited drop dome for the Kawasaki 800 SX-R. These domes have a .050" drop at 82mm for use in Limited engines with a .060" base gasket. Available in 22, 24, 26, 28 & 29cc sizes.

Kawasaki	Part No.
ADA 800SXR LTD Dome 22cc	KA8222D50
ADA 800SXR LTD Dome 24cc	KA8224D50
ADA 800SXR LTD Dome 26cc	KA8226D50
ADA 800SXR LTD Dome 28cc	KA8228D50
ADA 800SXR LTD Dome 29cc	KA8229D50

ADA KAWASAKI 750 BILLET HEAD

Kawasaki	Part No.
ADA 800SXR/750 Girdle Head Shell**	KA800M
ADA 800SXR Girdle Kit	KA800G
ADA 800SXR/750 Non-Girdle Billet Head Shell	KA800
ADA K750 24cc Dome (195 lbs.-100 Octane)	KA7524
ADA K750 26cc Dome (180 lbs.-92 Octane)	KA7526
ADA K750 28cc Dome (165 lbs.-91 Octane)	KA7528
ADA K750 30cc Dome (150 lbs.-89 Octane)	KA7530

**ADA 800SXR Girdle and Non-Girdle Head Shell also fits Kawasaki 750 but must use the ADA 750 Domes.

***All ADA Domes are sold individually

ADA RACING KAWASAKI 750/800 BIG BORE GIRDLE KIT - SPECIAL ORDER ONLY



The ADA new Billet big bore head is available in both a Non-Girdle Big Bore Head Shell and a Girdle Big Bore Head Shell. Domes will fit up to an 85mm bore size and they are notched to fit around the head studs to allow for a larger compression sealing o-ring than the standard domes.

Big bore domes for the Kawasaki 750/800. Squish relief is .010" @ 85mm with a 4 degree angle. These are a larger diameter than the ADA standard 750/800 domes and are machined to fit around the head studs.

Description	Part No.
ADA 750/800 SXR <i>Girdle</i> Billet Head Kit	KA800M-BB
ADA 750/800 SXR <i>Non-Girdle</i> Billet Head Kit	KA800BB
ADA 750/800 SXR Girdle Hardware Kit	KA800G
ADA 750/800 SXR O-Ring Kit	ORKITK750

ADA 750/800 SXR Big Bore Domes - Domes Sold Individually

22cc Pt# KA852210	24cc Pt# KA852410	26cc Pt# KA852610
28cc Pt# KA852810	30cc Pt# KA853010	32cc Pt# KA853210
34cc Pt# KA853410		

SPECIAL ORDER ONLY ITEM

FOUR
STROKE
INTAKE
SYSTEMS
ENGINE/
GASKETS
EXHAUST
DRIVE LINE
HANDLING
ELECTRICAL
WATERLINE
/BLIGE
& CONTROLS
BODY
ACCESSORIES
SERVICE TOOLS
/HARDWARE
CHEMICAL



FOUR STROKE
INTAKE SYSTEMS
ENGINE/GASKETS
EXHAUST
DRIVE LINE HANDLING
ELECTRICAL
WATERLINE /BILGE
STEERING & CONTROLS
BODY
ACCESSORIES
SERVICE TOOLS /HARDWARE
CHEMICAL



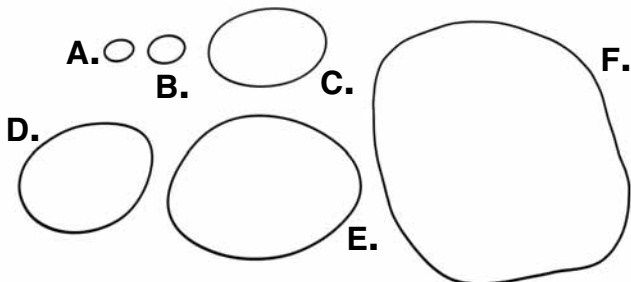
ADA Girdle Head Shell



ADA Non-Girdle Head Shell



ADA Girdle Hardware Kit



ADA YAMAHA 701/760 BILLET HEAD

Yamaha	Part No.
Y701/760 Girdle Billet Head Shell**	YA701M
** Girdle Kit is not included in Head Kit	
Girdle Kit (6 pcs.) for Girdle Head **	YA701G6
Y701/760 Non-Girdle Billet Head Shell	YA701L
701-81mm 33cc (200Lbs/105 Octane)	YA2133L
701-81mm 35cc (185Lbs/92 Octane) *	YA2135L
* 35cc Dome for 100 Octane with Dry Pipe	
701-81mm 37cc (170Lbs/92 Octane)	YA2137L
760-84mm 31cc (230Lbs/115 Octane)	YA7631L
760-84mm 33cc (215Lbs/110 Octane)	YA7633L
760-84mm 35cc (200Lbs/105 Octane)	YA7635L
760-84mm 38cc (180Lbs/98 Octane)	YA7638L
760-84mm 40cc (165Lbs/91 Octane)	YA7640L
Flat Top Dome –	30cc YAK8630L15
4° w/.015" Relief@86mm	
Flat Top Dome –	28cc YAK8628L15
4° w/.015" Relief@86mm	
Flat Top Dome –	26cc YAK8626L15
4° w/.015" Relief@86mm	
Flat Top Dome –	24cc YAK8624L15
4° w/.015" Relief@86mm	
Flat Top Dome –	22cc YAK8622L15
4° w/.015" Relief@86mm	
Dome for Flat Top Kawasaki Piston @ 82mm	24cc KD1224
Exhaust Pipe Mount Bracket	YEXBRKT-2M
O-Ring Kit	ORKIT-YA701M

***All ADA Domes are sold individually

ADA SUPER BORE HEAD

Yamaha	Part No.
Super Bore Non-Girdle Head Shell	YA760SB
Super Bore Girdle Head Shell	YA760SBM
Super Bore 38cc Dome Yamaha	SD9538

*ADA Super Bore Head Shells and Domes are Special Order Only. Hot Products does not inventory these Super Bore items.

***All ADA Domes are sold individually

ADA INDIVIDUAL O-RING

Descriptions	Part No.
A. O-Ring, Dome Top Around Spark Plug Hole	OR020
B. O-Ring Head Shell to Dome	OR024
C. Compression O-Ring Ultra 150, All Yamaha	OR043
D. Compression O-Ring SD 951	OR044
E. Outer Water O-Ring Ultra 150 (3 req.)	OR049
F. Outer Water O-Ring Y701/760	ORYA701
Compression O-Ring K750/800	OR042

Sea Doo
720/800



ADA SD720 AND 800 BILLET HEAD

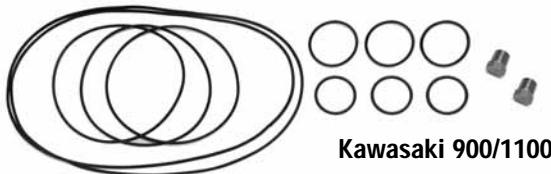
Sea Doo		Part No.
Sea Doo 720 Billet Head Shell		SD720
Sea Doo 720	34cc Dome (190 Lbs 105 oct.)	SD7234
Sea Doo 720	36cc Dome (175 Lbs 100 oct.)	SD7236
Sea Doo 800 Billet Head Shell		SD800
Sea Doo 800	39cc Dome (205 Lbs 105 oct.)	SD8039
Sea Doo 800	41cc Dome (190 Lbs 98 oct.)	SD8041
Sea Doo 800	43cc Dome (175 Lbs 91 oct.)	SD8043

***All ADA Domes are sold individually

The ADA Sea Doo 720 & 800 domes are interchangeable but the head billet shells are engine size specific.



Sea Doo
951



Kawasaki 900/1100

ADA SD951 BILLET HEAD

Sea Doo		Part No.
Sea Doo 951 Billet Head Shell		SD951
Sea Doo 951	46cc Dome (183 lbs-105 oct.)	SD9546
Sea Doo 951	48cc Dome (175 lbs-98 oct.)	SD9548
Sea Doo 951	50cc Dome (165 lbs-91 oct.)	SD9550
O-Ring Kit		ORKIT-SD951

***All ADA Domes are sold individually

ADA KAWASAKI 900/1100 BILLET HEAD

Kawasaki 900		Part No.
ADA 900/1100 Non-Girdle Billet Head Shell		K900/1100
ADA K900	26cc Dome (185 lbs. - 105 Octane)	KA9026
ADA K900	28cc Dome (170 lbs. - 95 Octane)	KA9028
ADA K900	30cc Dome (155 lbs. - 91 Octane)	KA9030
ADA K900 O-Ring Kit		ORKITK900

Kawasaki 1100		Part No.
ADA 900/1100 Non-Girdle Billet Head Shell		K900/1100
ADA K1100	22cc Dome (215 lbs. - 112 Octane)	KA1222
ADA K1100	24cc Dome (200 lbs. - 108 Octane)	KA1224
ADA K1100	26cc Dome (185 lbs. - 105 Octane)	KA1226
ADA K1100	28cc Dome (170 lbs. - 95 Octane)	KA1228
ADA K1100	30cc Dome (155 lbs. - 91 Octane)	KA1230
ADA K1100	32cc Dome (145 lbs. - 89 Octane)	KA1232
ADA K1100 O-Ring Kit		ORKITK1100

***All ADA Domes are sold individually

ADA KAWASAKI ULTRA 150/STX-R BILLET GIRDLE HEAD KIT

Kawasaki		Part No.
Ultra 150/STX-R Billet Head Shell (Non Girdle Head)		KU150
44cc Dome +10 Lbs 91 Oct.		KU1544
42cc Dome +20 lbs 91 Oct.		KU1542
40cc Dome +30 lbs 98 Oct.		KU1540
38cc Dome +40 lbs 105 Oct.		KU1538
Ultra 150/STX-R O-Ring Kit		ORKIT-KU150

***All ADA Domes are sold individually



KU150 KAWASAKI ULTRA 150/STX-R
NON GIRDLE HEAD SHELL

*DOMES SOLD SEPARATELY



RIVA RACING HEAD O-RING KIT

Head O-Ring Kit		Part No.
2 Cylinder (701/760)		RY10026-O
3 Cylinder (63M/65U)		RY10028-O
GP800 (66E)		RY100277-O
GP1200R (For RY100288B/100289A1)		RY100288-O

FOUR STROKE
INTAKE SYSTEMS
ENGINE/GASKETS
EXHAUST
DRIVE LINE HANDLING
ELECTRICAL
WATERLINE /BILGE
STEERING & CONTROLS
BODY
ACCESSORIES SERVICE TOOLS /HARDWARE
CHEMICAL

PERSONAL WATERCRAFT KITS

All pistons are high quality forged alloy and include rings, taper wall wrist pins and circlips.

L.A. Sleeve produces a complete watercraft line of two stroke centrifugally spun iron cylinder sleeves. LASCO sleeves with exact port specifications, chrome-moly iron alloy, high tensile strength material provide the rebuilder with ease of installation, trouble free boring and a lasting long life engine.



The ★ column, next to the sleeve part number, will help the rebuilder identify the cylinder that is to be sleeved. The ★ column designation will also help the rebuilder to determine the proper installation procedure.

★ Column Code Explanations:

- AC** – Original cylinder bore is alloy-chrome plated, Nikasil, or electrofused. The cylinder must be bored to accept the new cylinder sleeve.
- CS** – Original block has a cast-in sleeve liner in the cylinder. The cylinder must be bored out to accept the new cylinder sleeve. The cast-in liner will be bored completely out of the cylinder. Do not try to push out the cast-in liner, cylinder damage may be the result.
- CI** – Original block has a cast-in liner in the cylinder. The cylinder must be bored to accept the new cylinder sleeve. When using a CI style sleeve the cast-in liner will not be completely removed. The sleeve is designed to insert into the iron lined cylinder.
- RS** – Original block has a replacement sleeve. Heat the cylinder to remove the sleeve. Reheat the cylinder to install the new cylinder sleeve.
- CC** – Original barrel is cast-iron. The cylinder must be bored to accept the new cylinder sleeve.



Piston Wrist Pin Bearing



Crank Side/End Rod Bearing

L.A. SLEEVE				WISECO										Piston Wrist Pin Bearing	Crank Side/End Rod Bearing
Model	SEA DOO	Cyl. I.D.	★	Piston Style	Piston Kit	Bore Size mm	Over Size mm	CC	Ring Set	Circlip	Wrist Pin				
Sea Doo 580 (Long Finger Port)	1988	76mm	RS	FL-5102	E Coated	734M07600	76.00	STD	580	2992TD	CW18	S477	50-4185		
Sea Doo 580 (Short Finger Port)	1989-96	76mm	RS	FL-5125		734M07650	76.50	0.50	588	3012TD					
						734M07700	77.00	1.00	595	3032TD					
						734M07750	77.50	1.50	602	3051TD					
XP, SPI, GTX, SPX-650 (657cc)	1993-95	78mm	RS	FL-5244	L Ring STOCK STYLE	663M07800	78.00	STD	650	3071LK	CW20	S512	50-4184 (1993)		
						663M07850	78.50	0.50	658	3091LK			50-4182 (94-95)		
						663M07900	79.00	1.00	666	3110LK					
						663M08000	80.00	1.50	674	3150LK					
XP, GTI, HX, SPX, GTS, GS, GSI-750 (718cc)	1995-97	82mm	RS	FL-5268	L Ring USBA Ltd. Class Legal	775M08200	82.00	STD	718	8200LF	CW20	S461	50-4184	01321	
						775M08250	82.50	0.50	726	8250LF					
						775M08300	83.00	1.00	735	8300LF					
						775M08350	83.50	1.50	744	8350LF					
						775M08400	84.00	2.00	754	8400LF					
XP, SPX, GSX, GTX-785 Rave GTX RFI, GSX RFI-785 Rave	1995-00	82mm	RS	FL-5290	L Ring USBA Ltd. Class Legal	779M08200	82.00	STD	780	8200LF	CW20	S461	50-4184	01323	
						779M08210	82.10	0.10	782	8210LF					
						779M08250	82.50	0.50	791	8250LF					
						779M08296	82.96	0.96	800	*8300LF					
						779M08300	83.00	1.00	801	8300LF					
						779M08350	83.50	1.50	810	8350LF					
						779M08400	84.00	2.00	820	8400LF					
* Must gap rings															
GSXLTD, XP LTD, GTX LTD-951 LRV, RX	1997-00	88mm	RS	FL-5322		716M08800	88.00	STD	951	3464KD	CW21	S568	01242		
						716M08850	88.50	0.50	960	3484KD					
						716M08900	89.00	1.00	971	3503KD					
						716M08940	89.40	1.40	982	3520KD					
						716M09000	90.00	2.00	993	3544KD					
						716M09100	91.00	3.00	1017	3584KD					
* Cylinder Sleeving and Crankcase cleanup required for 91mm bore.															
														**Special Head Gasket Required Part #6700BB (91.25mm)	



L.A. Sleeve Co.

Model	YAMAHA	Cyl. I.D.	★	L.A. SLEEVE	Piston Style	Piston Kit	Bore Size mm	Over Size mm	CC	Ring Set	Circlip	Wrist Pin	Piston Wrist Pin Bearing	Crank Side/End Rod Bearing
WaveJammer, WaveRunner (496cc)	1987-92	72mm	RS	YA-5025		586M07200 586M07250 586M07300 586M07350	72.00 72.50 73.00 73.50	STD 0.50 1.00 1.50	496 503 509 517	2835CD 2854CD 2874CD 2894CD	CW20	S478	50-4184	01325
Super Jet 1990-93, WaveRunner III 1996, WaveRunner VXR 1992-95 (from 817001)	(633cc) Twin	77mm	RS	YA-5139		602M07700 602M07750 602M07800 602M07850 602M07900	77.00 77.50 78.00 78.50 79.00	STD 0.50 1.00 1.50 2.00	633 641 649 658 667	3032TD 3051TD 3071TD 3091TD 3110TD	CW20	S423	50-3302	01325
WaveRunner 91-92, WaveRunner LX 93, WaveRunner III 1990-95, WaveRunner VXR (from 816999) 91-92	(633cc) Twin	77mm	RS	YA-5176										
Super Jet, WaveRunner III GP, WaveBlaster, WaveRunner II, WaveRunner Pro VXR, FX700, WaveRaider (701cc) Twin	93-00	81mm	RS	YA-5187		790M08100 790M08150 790M08200 790M08250 790M08300 790M08400	81.00 81.50 82.00 82.50 83.00 84.00	STD 0.50 1.00 1.50 2.00 3.00	701 710 718 726 735 753	3189KD 3207KD 3228KD 3248KD 3268KD 3307KD	CW20	S512	50-3483	01325
WaveRaider, WaveRaider DX, WaveVenture, Wave Venture XL700 (701cc)Twin	1994-95 95-00	81mm	RS	YA-5284										
Super Jet, WaveRunner III GP, WaveBlaster, WaveRunner II, WaveRunner Pro VXR, FX700, WaveRaider (Big Bore to 789cc Twin)	93-00	84mm		YA-5187B		757M08400 757M08450 757M08500 757M08550 757M08600	84.00 84.50 85.00 85.50 86.00	STD 0.50 1.00 1.50 2.00	754 763 771 780 789	3307KD 3327KD 3347KD 3368KD 3386KD	CW20	S512	50-3483	01325
WaveBlaster, WaveBlaster II, WaveRaider, WaveRunner GP760, WaveVenture, XL760 (754cc) Twin	1996-00	84mm	RS	YA-5304										
WaveRunner GP800, WaveRunner XL800 (784cc) Twin	1998-00 2000	80mm	AC	YA-5356		758M08000	80.00	STD	784	3150KD	CW22	S640	01343	
WaveRaider 1100, WaveVenture 1100 (1051cc) Triple	1995-97	81mm	RS	YA-5282		791M08100 791M08150 791M08200 791M08250 791M08300	81.00 81.50 82.00 82.50 83.00	STD 0.50 1.00 1.50 2.00	1051 1064 1077 1090 1104	3189KD 3207KD 3228KD 3248KD 3268KD	CW20	S512	50-3483	01325
WaveRunner GP1200, SUV1200, XL1200 (1131cc) Triple	1997-99 1999-00 1998	84mm	RS	YA-5349		757M08400 757M08450 757M08500 757M08550 757M08600	84.00 84.50 85.00 85.50 86.00	STD 0.50 1.00 1.50 2.00	1131 1142 1156 1169 1184	3307KD 3327KD 3347KD 3366KD 3386KD	CW20	S631	50-3483	01325
XL 1200 LTD, GP1200R (1176cc) Triple	1998-00 2000	80mm	AC	YA-5469		758M08000	80.00	STD	1176	3150KD	CW22	S640	01343	
GP1300R	2003-08	84mm	AC	YA-5502		867M08400	84.00	STD	1300	3307KD	CW22	S539		

FOUR STROKE
INTAKE SYSTEMS
ENGINE/GASKETS
EXHAUST
DRIVE LINE HANDLING
ELECTRICAL
WATERLINE /BILGE
STEERING & CONTROLS
BODY
ACCESSORIES
SERVICE TOOLS /HARDWARE
CHEMICAL

General Rules for Sleeve Installation:

These tips are intended to be a guide for installing sleeves into cylinders. There are always exceptions to the rule and care must be taken on special applications.

ALWAYS WAIT UNTIL THE SLEEVE ARRIVES BEFORE BEGINNING ANY MACHINE WORK. NEVER ASSUME THAT THE STATED MODEL AND YEAR OF THE CYLINDER IS CORRECT. ALWAYS CHECK TO SEE IF THE SLEEVE PORTS MATCH THE CYLINDER PORTS.

1. Interference fit for cylinder sleeve to aluminum bore is .004.
2. Interference fit for cylinder sleeve to a cast iron bore is .002 to .003.
3. Installation of flanged type sleeves follow the same rules, but the top of the cylinder must have a countersink to the correct depth to accept the flanged sleeve. .000 to .001 interference fit on the flange diameter is recommended.
4. Heating the cylinder for 45 minutes to one hour at 350 degrees to 450 degrees is preferable.
5. The sleeve should slide in very easily when the cylinder is properly heated. Freeze shrinking the sleeve is not necessary. (Some machinists believe this assists installation of the sleeve.)
6. **REMEMBER:** Rap or press the sleeve down while the cylinder is cooling down. Use a hydraulic press for this procedure.
7. Milling the top deck of the cylinder always adds a quality touch. A caution here, some cylinders may not be able to have the top surface decked.
8. For two-stroke cylinders, blending or matching the aluminum cylinder to the sleeve ports is recommended for proper fuel flow.

FOUR STROKE

INTAKE SYSTEMS

ENGINE/GASKETS

EXHAUST

DRIVE LINE HANDLING

ELECTRICAL

WATERLINE /BILGE

STEERING & CONTROLS

BODY

SERVICE TOOLS ACCESSORIES /HARDWARE

CHEMICAL

L.A. SLEEVE

WISECO

Model	KAWASAKI Cyl. I.D. ★			Piston Style	Piston Kit	Bore Size mm	Over Size mm	CC	Ring Set	Circlip	Wrist Pin	Piston Wrist Pin Bearing	Crank Side/End Rod Bearing
JS-550 Iron Cylinder 1986-90	75mm	CC	KA-5033		516M07500	75.00	STD	531	2953TC	CW16	S259	50-3122	
					516M07550	75.50	0.50	537	2973TC				
					516M07600	76.00	1.00	544	2992TC				
JS-550SX Reed 1991-95	75mm	CI	KA-5135		608M07500	75.00	STD	531	2953TD	CW16	S259	50-3122	
					608M07550	75.50	0.50	537	2973TD				
					608M07600	76.00	1.00	544	2992TD				
					608M07650	76.50	1.50	551	3012TD				
JS, JL, JF-650 1986-96	76mm	CS	KA-999		549M07600	76.00	STD	635	2992TD	CW18	S513	50-3272	01315
					549M07650	76.50	0.50	643	3012TD				
					549M07700	77.00	1.00	657	3032TD				
JS-750SX, SS, ST, XiR 1992-95 Supersport Xi 1993-95 Special Heavy O.D. Sleeve 3.600" * Crankcase cleanup and cylinder sleeving required for 83mm thru 85.5mm bore.	80mm	CI	KA-5166		813M08000	80.00	STD	743	3150KD	CW20	S650 (20mm)	50-3302	01317
					813M08050	80.50	0.50	752	3169KD				
					813M08100	81.00	1.00	760	3189KD				
					813M08150	81.50	1.50	771	3209KD				
					813M08200	82.00	2.00	779	3228KD				
					813M08300	83.00	3.00	796	3268KD				
					813M08500	85.00	5.00	840	3347KD				
813M08550	85.50	5.50	849	3367KD									
JS-750 SXi, ZXi 1995-00 STX, STS, SXi Pro, Xi Sport Supersport Xi 1996-97 * Crankcase cleanup and cylinder sleeving required for 83mm thru 84.5mm bore.	80mm	CI	KA-5280		809M08000	80.00	STD	743	3150KD	CW22	S662 (22mm)	50-3304	
					809M08050	80.50	0.50	752	3169KD				
					809M08100	81.00	1.00	760	3189KD				
					809M08150	81.50	1.50	771	3209KD				
					809M08200	82.00	2.00	779	3228KD				
					809M08300	83.00	3.00	795	3268KD				
					809M08400	84.00	4.00	820	3307KD				
809M08450	84.50	4.50	830	3327KD									
JS-750 SXi, SXi pro 1996-02 SX800R 2003 * These racing pistons feature a cutaway skirt, boost port feed hole, and thinner rings. Kawasaki factory race part	80mm	CI	KA-5280	E Coated	810M08250	82.50	2.50	791	8250KB	CW22	S640	50-3304	
					810M08296	82.96	2.96	800	8300KB				
SX800R 2003	82mm		KA-5496		837M08200	82.00	STD	782	3228KD	CW22	S662	50-3304	
					837M08250	82.50	0.50	791	3248KD				
					837M08296	82.96	0.96	800	3268KD				
JH-900 ZXi, JT-900 STX (891cc) 1995-00 triple cylinder	73mm	CS	KA-5283		659M07300	73.00	STD	891	2874CD	CW20	S512	50-3302	01317
					659M07350	73.50	0.50	903	2894CD				
					659M07400	74.00	1.00	915	2913CD				
					659M07450	74.50	1.50	928	2933TD				
JH-1100 ZXi, JT-1100 STX (1071cc) 1996-00 triple cylinder Not for 1100DI	80mm		KA-5303		809M08000	80.00	STD	1071	3150KD	CW22	S662	50-3304	01317
					809M08050	80.50	0.50	1083	3169KD				
					809M08100	81.00	1.00	1097	3189KD				
					809M08150	81.50	1.50	1106	3209KD				
					809M08200	82.00	2.00	1125	3228KD				
JH-1100 ZXi, JT-1100 STX Big Bore to 1193cc 1996-00			KA-5303B		809M08300	83.00	3.00	1151	3268KD	CW22	S662	50-3304	01317
					809M08400	84.00	4.00	1179	3307KD				
					809M08450	84.50	4.50	1193	3327KD				
Ultra 150 (1176cc) triple cylinder 1999-00	80mm	AC	KA-5415		749M08000	80.00	STD	1176	3150TD	CW24	S598	50-4186	
					749M08050	80.50	0.50	1191	3169TD				
					749M08100	81.00	1.00	1205	3189TD				

SJ Flat Top Piston
85.0 mm for SJ 771CC
85.5 mm for SJ 780CC
Piston skirt must be modified to match sleeve

L.A. SLEEVE

WISECO

Model	POLARIS Cyl. I.D. ★			Piston Style	Piston Kit	Bore Size mm	Over Size	CC	Ring Set	Circlip	Wrist Pin	Piston Wrist Pin Bearing	Crank Side/End Rod Bearing
SL-650 1992-95	65mm	CI	FL-5191		624M06500	65.00	STD	647	2559CD	CW18	S280	50-3496	01329
					624M06550	65.50	0.50	656	2579CD				
					624M06600	66.00	1.00	665	2598CD				
					624M06650	66.50	1.50	675	2618CD				
					624M06700	67.00	2.00	685	2638CD				
Hurricane 700 1996-97	81mm		FL-5300		700M08100	81.00	STD	700	3189TD	CW20	S512	50-4182	
					700M08150	81.50	0.50	710	3209TD				
SL, SLT-700 1996-97 SLH, SLTH-700, Virage (65H) (700cc) twin 1998-02 Freedom 2002	81mm	RS	FL-5341		700M08200	82.00	1.00	718	3228TD				
					700M08250	82.50	1.50	726	3248TD				
					700M08300	83.00	2.00	734	3268TD				
					700M08350	83.50	2.50	742	3288TD				
SL, SLT-750 1993-95 Special Heavy O.D. 80.60mm	69.75mm	CI	FL-5239		633M06975	69.75	STD	744	2746CD	CW18	S343	50-3496	01329
					633M07025	70.25	0.50	755	2766CD				
					633M07075	70.75	1.00	766	2786CD				
					633M07125	71.25	1.50	777	2805CD				
					633M07150	71.50	1.75	783	2815CD				
SL, SLT, SLX-780 triple cylinder 1995-97	71.3mm		FL-5302		633M07150	71.50	STD	783	2815CD	CW18	S343	50-3496	01329
					633M07200	72.00	0.71	794	2835CD				
					633M07250	72.50	1.41	805	2855CD				

Model		Cyl. I.D. ★	L.A. SLEEVE	Piston Style	Piston Kit	Bore Size mm	Over Size mm	CC	Ring Set	Circlip	Wrist Pin	Piston Wrist Pin Bearing	Crank Side/End Rod Bearing
SLX Pro 785 (779cc) triple cylinder		1997-00 69.72mm	FL-5342	XPS E-Coated	722M06970	69.70	STD	799	2746CD	CW18	S343		
<i>* Nikasil Bore – Cylinder Sleevling or Replating Required for Oversizes.</i>													
Octane 777 Virage I		2002 2002 84mm	FL-5416	E-Coated	811M08400 811M08450 811M08500 811M08525	84.00 84.50 85.00 85.25	STD .050 1.00 1.25	775.8 785.1 794.4 779.1	8400KB 8450KB 8500KB 8520KB	CW22	S662		
<i>Low Dome Race Part. (Flat Top) Head Modifications required.</i>					812M08500 812M08525	85.00 85.25	1.00 1.25	794.4 749.1	8500KB 8525KB	CW22	S662		
SL-900 triple cylinder		1996-97 74.5mm	FL-5305	RS	687M07450 687M07500 687M07550 687M07600 687M07650	74.50 75.00 75.50 76.00 76.50	STD 0.50 1.00 1.50 2.00	889 901 913 925 937	2933TD 2953TD 2973TD 2992TD 3012TD	CW20	S512	50-4182	
SL, SLX, SLTC, SLXH-1050 (1051cc) triple cylinder		1996-99 81mm	FL-5297		781M08100 781M08150 781M08200 781M08250 781M08300	81.00 81.50 82.00 82.50 83.00	STD 0.50 1.00 1.50 2.00	1051 1064 1077 1090 1102	8100LF 8150LF 8200LF 8250LF 8300LF	CW20	S512	50-4182	
Pro1200, Virage TX Virage TXI, SLX Genesis all Models X45		2000-01 99-02 1999 84mm	FL-5416		811M08400 811M08450 811M08500 811M08525	84.00 84.50 85.00 85.25	STD 0.50 1.00 1.25	889 785.1 794.4 799.1	8400KB 8450KB 8500KB 8525KB	CW22	S662		
Pro1200, Virage TX Virage TXI		2001-02 85mm			812M08500 812M08525	85.00 85.25	1.00 1.25	794.4 799.1	8500KB 8525KB	CW22	S662		
<i>Low Dome Race Part. (Flat Top) Head Modifications required.</i>													

MODEL	L.A. SLEEVE	CUBIC DISPLACEMENT	CYLINDER I.D.	CODE	PART NO.
Sea Doo					
580 (Long Finger Port) 1988		580cc	76mm	RS	FL-5102
580 (Short Finger Port) 1989-96		580cc	76mm	RS	FL-5125
XP/SPI, GTX, SPX 1993-95		650cc	78mm	RS	FL-5244
GTI, HX, SPX, XP, GTS, GS, GSI		718cc	82mm	RS	FL-5268
XP/SPX/GTX RFI-785 Rave 1995-02		782cc	82mm	RS	FL-5290
GSX/XP/GTX-951 LTD RX 1997-02		951cc	88mm	RS	FL-5322
785DI		782cc	82mm	RS	FL-5583
951DI		951cc	88mm	RS	FL-5578
Polaris					
SL-650 1992-95		647cc	65mm	CI	FL-5191
SL-750 1993-95		744cc	69.7mm	CI	FL-5239
SLX Pro 785 1997-01			69.72mm	AC	FL-5342
SL-900 1996-97		889cc	74.5mm	RS	FL-5305
SLTX/SLXH-1051 1996-99		1051cc	81mm		FL-5297
Virage, Octane 777 2002		777cc	84mm	RS	FL-5416
Genesis 1200 (99-02), SLX, X-45 1200, Pro 1200, Virage TX & TXI 1999-02		1165cc	84mm	RS	FL-5416
Yamaha					
Wave Jammer, Wave Runner 1987-92		496cc	72mm	RS	YA-5025
Wave Runner, Super Jet thru 1993		633cc	77mm	RS	YA-5139
61X Wave Blaster, WRIII, FX, Pro VXR, Superjet (93-07)		701cc	81mm	RS	YA-5187
Super Jet, Wave Blaster Big Bore to 62T 701 Wave Raider (94-95), Wave Venture XL 700 (95-02)		789cc	84mm		YA-5187B
Wave Raider, WBII, GP 760/Wave Blaster (96-00)		754cc	84mm	RS	YA-5304
Wave Runner GP-800 (98-02), XL/XLT 800 (00-02)		784cc	80mm	AC	YA-5356
1100Wave Raider (95-96), Wave Venture (96-97)		1051cc	81mm	RS	YA-5282
GP1200(97-99)/XL 1200 (98)		1131cc	84mm	RS	YA-5349
XL1200 Ltd/GP1200R		1176cc	80mm	AC	YA-5469
GP1300R (03-07)		1296cc	84mm	AC	YA-5502
Kawasaki					
JS-550 Iron Cylinder 1986-90		531cc	75mm	CC	KA-5033
JS-550 SX Reed 1991-95		531cc	75mm	CI	KA-5135
JS, JF-650 1986-96		635cc	76mm	CS	KA-999
JS-750 SX/SS (92-95)		743cc	80mm	CI	KA-5166
JS-750 SX/SS (92-95) Special Heavy OD Sleeve 3.600"		743cc	80mm	CS	KA-5166H
JS-750 SXI, ZXI (96-97), ST (94-95) SXI Pro		743cc	80mm	CI	KA-5280
JS-750 SX, ZXI (95-97), ST (94-95), SXI Pro Special Heavy OD Sleeve 3.600"		743cc	80mm	CS	KA-5280H
JS-900 ZXI, STX (95-06)		891cc	73mm	CS	KA-5283
JS1100ZXI, STX (96-02)		1071cc	80mm	CI	KA-5303
JS-1100 ZXI, STX (96-02) Big Bore to 800 SXR 2003-07		1180cc	83mm		KA-5303B
Ultra 150 1999-00		1176cc	80mm	AC	KA-5496
					KA-5415

FOUR STROKE
INTAKE SYSTEMS
ENGINE/ GASKETS
EXHAUST
DRIVE LINE HANDLING
ELECTRICAL
WATERLINE /BILGE
STEERING & CONTROLS
BODY
ACCESSORIES
SERVICE TOOLS /HARDWARE
CHEMICAL

PROX

PRO-X PISTON KITS

Pro-X Piston Kits are manufactured in Japan and are designed to be an O.E.M. replacement. The aluminum alloy used in the manufacturing of Pro-X pistons maintains or exceeds the factory specifications. Additional oversizes are available in .010 increments up to .080 (2.00 mm).

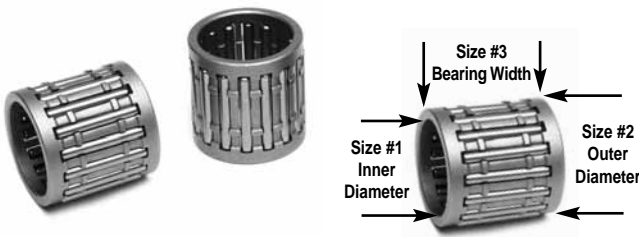


* - Rings are available for all pistons. For Rings Part Number, put "R" after piston part number.

		STD	.010	.020	.030	.040	.050	.060	.070	.080	TOP END BEARINGS
SEA DOO		Std. Bore	STD	.25mm	.50mm	.75mm	1mm	1.25mm	1.5mm	1.75mm	2mm
580 All thru 1996	76.00	P8020 01.5506.000			P8023	P8024 01.5506.100					50-4185
720 HX, XP, GTS, GS SPX, GTI, GSI '1995-02	82.00	P8040 01.5508.000	P8041 01.5508.025	P8042 01.5508.050	P8043 01.5508.075	P8044 01.5508.100		P8046 01.5508.150			50-4184
800 XP GSX, GTX, RFI SPX 1995-02	82.00	P8050 01.5511.000	P8051 01.5511.025	P8052 01.5511.050	P8053 01.5511.075	P8054 01.5511.100		P8056 01.5511.150			50-4184
951 XPL, GSXL, GTXL, RX, LRV 1997-07	88.00	P8060 01.5515.000	P8061 01.5515.025	P8062 01.5515.050	P8063 01.5515.075	P8064 01.5515.100		P8066 01.5515.150			01242
RXP (04-08), RXT (05-08) RXP-X (08)		01.5594.000		01.5594.050		01.5594.100					

		STD	.010	.020	.030	.040	.050	.060	.070	.080	TOP END BEARINGS
YAMAHA		Std. Bore	STD	.25mm	.50mm	.75mm	1mm	1.25mm	1.5mm	1.75mm	2mm
701 All Thru 2007	81.00	P7090 01.2510.000	P7091 01.2510.025	P7092 01.2510.050	P7093 01.2510.075	P7094 01.2510.100		P7096 01.2510.150		P7098 01.2510.200	50-3483
760 All Thru 1998	84.00	P7110 01.2514.000	P7111 01.2514.025	P7112 01.2514.050	P7113 01.2514.075	P7114 01.2514.100		P7116 01.2514.150			50-3483
1200/GP1200 All thru '98	84.00	P7110 01.2574.000	P7111 01.2574.025	P7112 01.2574.050	P7113 01.2574.075	P7114 01.2574.100		P7116 01.2574.150			50-3483
800 All thru 2002 GP1200 R 2000-02 XL1200 LTD 1998-00 XLT1200 2001-02 GP1300 R 2003-07	79.90 79.91 79.92 79.93 83.90 83.91 83.92	P7170A - 01.2518.A P7170B - 01.2518.B P7170C - 01.2518.C P7170D - 01.2518.D P7190A - 01.2520.A P7190B - 01.2520.B P7190C - 01.2520.C		01.2518.050 (80.50mm)		01.2518.100 (81.00mm)					01343
				01.2519.050 (84.50mm)		01.2519.100 (85.00mm)					

		STD	.010	.020	.030	.040	.050	.060	.070	.080	TOP END BEARINGS
KAWASAKI		Std. Bore	STD	.25mm	.50mm	.75mm	1mm	1.25mm	1.5mm	1.75mm	2mm
JS750 SS, XS, Xi 1993-97	80.00	P4480 01.4510.000		P4482 01.4510.050	P4483 01.4510.075	P4484 01.4510.100		P4486 01.4510.150	P4487		50-3304
JS750 ZXi, SXi 95-98	80.00		P4491 01.4514.025	P4492 01.4514.050		P4494 01.4514.100					50-3302
800SX-R 2003-07	82.00	P4510 01.4523.000	P4511 01.4523.025	P4512 01.4523.050	P4513 01.4523.075	P4514 01.4523.100					50-3302
JS900 ZXi, STX 1995-06	73.00	P4500 01.4520.000	P4501 01.4520.025					P4506 01.4520.150			50-3304
JS1100 ZXi 1996-98	80.00		P4491 01.4514.025	P4492 01.4514.050							50-3304



TOP END (WRIST PIN) BEARINGS

Kawasaki		OEM No.	Size (1x2x3)	Part No.
300	1986-93	13033-1010	18x22x24	50-3272
440	1977-92	13033-3005	16x20x22.5	50-3122
550	1982-95	13033-3005	16x20x22.5	50-3122
650	SX,X2,TS,SC	13033-1010	18x22x24	50-3272
1986-96				
750 ST,SX,SS,XiR,Supersport Xi				
		1992-95	13033-3702	20x25x25
		1992-95	13033-3702	20x25x25
		1996-02	13033-3703	22x27x24.7
900	ZXi,STX,1995-06	13033-3702	20x25x25	50-3302
750 ZXi,STX,SXi,STS,Xi Sport,SXi Pro.Supersport Xi				
		1996-02	13033-3703	22x27x24.7
800	SXR	2003-07	22x27x24.7	50-3304
1100	ZXi,STX	1996-02	13033-3703	22x27x24.7
Ultra 150,	STX-R	13033-3704	24x29x25	50-4186

Polaris		OEM No.	Size (1x2x3)	Part No.
650	1987-92	3083216	18x23x21.5	50-3496
750	1987-92	3083216	18x23x21.5	50-3496
780	1987-92	3083216	18x23x21.5	50-3496
700	1995-97	3584001	20x25x21.7	50-4182
900	1997-02	3584001	20x25x21.7	50-4182
1050	1998-02	3584001	20x25x21.7	50-4182

Tiger Shark		OEM No.	Size (1x2x3)	Part No.
640/900/1000	1993-99	—	20X26X24	B1024

Sea Doo		OEM No.	Size (1x2x3)	Part No.
580	1988-96	290.832.320	18x22x22	50-4185
650	1993	290.832.440	20x24x23	50-4184
650	1994-95		20x25x21.7	50-4182
720	1995-02	290.832.420	20x24x23	50-4184
785	1995-02	290.832.420	20x24x23	50-4184
951	1997-02	290.832.550	21x25x24	01242

Yamaha		OEM No.	Size (1x2x3)	Part No.
500	1987-92		20x24x23	50-4184
650	thru 1996	933310-320U200	20x25x25	50-3302
701, 760	thru 2002		20x25x24	50-3483
1100	1995-97		20x25x24	50-3483
1200 (65U)	1997-02		20x25x24	50-3483
800	1998-02		22x27x23	01343
1200 (66V)	1998-02		22x27x23	01343

BIG END (CRANK PIN) BEARINGS

Sea Doo		Size	Part No.
720		26 x 33 x 18	01321
785		28 x 35 x 18	01323

Yamaha		Size	Part No.
650/701/760/1100		25 x 32 x 20	01325



Kawasaki		Size	Part No.
JS/JF-650		24 x 32 x 20	01315
JS750	93-95	26 x 34 x 20	01317
JS900ZXI		24 x 34 x 20	01317
JS1100ZXI		24 x 34 x 20	01317

Polaris		Size	Part No.
650/750/780		24 x 32 x 16	01329

HOT ROD THRUST WASHERS

Determine part number by size.

ID Size	Thickness	Part No.
25mm X	1mm	W111
26mm X	1mm	W113
28mm X	1mm	W116
32mm X	1mm	W118



THRUST WASHERS

Determine part number by size.

ID Size	Thickness	Part No.
24mm X	1mm (coated)	TW4942
25mm X	1mm	TW4968

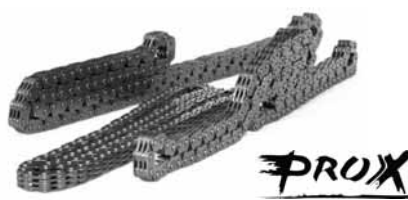


PRO-X SEA-DOO PERFORMANCE STEEL VALVES

Pro-X has developed these valves for the Sea-Doo GTX-4TEC '03-08 and RXP/RXT '04-08.

ID Size	Thickness	Part No.
Pro-X Sea Doo Exhaust Valves		28.5594-1
Pro-X Sea Doo Intake Valves		28.5594-2

*Pro-X Sea Doo Performance Valves are sold piece.



PRO-X CAM CHAINS

Manufactured by Borg Warner in Japan to OEM specifications. Strong M-type chain with heat treated pins for maximum performance and durability.

Description	Part No.
Yamaha FX140 (02-08)	31.1197
Yamaha VX1100 (07-08)	31.1197
Kawasaki STX-12F (03-07)	31.4903
Kawasaki STX-15F (04-08)	31.4903
Kawasaki Ultra 250X (07-08)	31.4907
Kawasaki Ultra 260X (09-10)	31.4907



PRO-X VALVE SHIM KIT

Easy and economical replacement shims. Precision machined to match the exact size. Specific heat-treatment ensuring hardness to offer maximum durability and less wear.

Description	Part No.
Pro-X Valve Shim Kit	29.VSA948

*This Pro-X Valve Shim Kit is for Kawasaki: STX-12F (03-04), STX-15F (04-09), Ultra LX (07-09), Ultra 250X (07-08), Ultra 260X (09-10)

FOUR STROKE
INTAKE SYSTEMS
ENGINE/GASKETS
EXHAUST
DRIVE LINE HANDLING
ELECTRICAL
WATERLINE /BLIGE
STEERING & CONTROLS
BODY
ACCESSORIES
SERVICE TOOLS /HARDWARE
CHEMICAL

HOT PRODUCTS CONNECTING RODS

Heavy duty replacement rods are used in many racing applications because of proven reliability. Kits are complete with top and bottom roller bearings, pin and shims. Made in Japan.

Sea Doo	Part No.
580	50-3520
720 (PTO)	50-3522
720 (MAG)	50-3523
785	50-3524
951	50-3525

Yamaha	Part No.
500	50-3480
650/701/760/1100/1200 (97-98)	50-3490
GP800R/XL800/GP1200R/XL1200*	50-3495

*Crank pins are not included in kit 50-3495

Kawasaki	Part No.
450/550 All	50-3120
650 All	50-3270
750 1992-95, 900ZXI	50-3280
750ZXI/SXI/STS/STX/SS/XI 1996-02	50-3281
800 SX-R	50-3281
1100 ZXI/STX 1995-98	50-3282



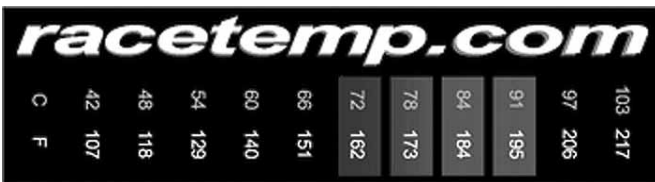
PERSONAL WATERCRAFT CONNECTING ROD DIMENSIONS

Watercraft Model	CENTER TO CENTER MM	SMALL END BORE MM	BIG END BORE MM	SMALL END WIDTH MM	BIG END WIDTH MM	PIN DIAMETER MM	PIN LENGTH MM	SMALL END BEARING MM	BIG END BEARING MM	WASHER THICKNESS MM
KAWASAKI										
JS 440/550	110	20	30.6	18	15	24.6	49	16X20X23	24.6X30.6X15	1
JS/JF 650	133	22	32	22	20	24	59	18X22X24	24X32X20	1
JS 750 (93-96) 20mm wrist pin	133	25	34	22	20	26	59	20X25X25	26X34X20	1
JS 750 (95-00) 22mm wrist pin	133	27	36	22	20	28	58	22X27X25	28X36X20	1
JS 900 ZXI	133	25	34	22	20	26	59	20X25X25	26X34X20	1
JS 1100 ZXI, SXI (95-00)	135	27	34	22	20	26	59	22X27X25	26X34X20	1
Ultra 150	140	29	40	22	20	32	62	24X29x25	32x40x20	1
POLARIS										
650/750/780 SL MAG/center	120	23	32.3	16	16	24.3	51	18X23X22	24.3X32.3X16	1
650/750/780 SL PTO	120	23	32.3	16	16	24.3	54	18X23X22	24.3X32.3X16	1
700/900/1050	136	25	35	16	16	28	60	20X25X22	28X35X16	1
SEA DOO										
580 thru (96)	125	22	31	17	17	24	52	18X22X22	24X31X17	1
650 thru (97)	125	25	31	17	17	24	52	20X25X22	24X31X17	1
720 XP, HX MAG (95-00)	125	24	33	18	18	26	53	20X24X22	26X33X18	1
720 XP, HX PTO (95-00)	125	24	33	18	18	26	55	20X24X24	26X33X18	1
785 XP RAVE (all)	140	24	35	18	18	28	55	20X24X23	28X35X18	1
951 RAVE (98-00)	140	25	36	20	20	28	57	21X25X24	28X36X20	1
YAMAHA										
650/901/760/1100 (all)	125	25	32	20	20	25	60	20X25X24	25X32X20	1
GP800, GP1200R	135	27	34	21	21	27	69	22x27x23	29x34x21	1.5



RACETEMP® SAVING MOTORS EVERYWHERE!

Detect overheating and monitor engine components with the Racetemps® temperature monitoring device. Racetemps® is a small visible strip that enables machine operators to quickly and accurately determine the temperature of vital components such as: radiator, cylinder, rear shock body, clutch housings and more. This product aids in vehicle maintenance, monitoring and troubleshooting.



Temperature ranges of 107-217 & 138-248 degrees fahrenheit

Accurate within 1-2 degrees

Reversible thermometer with long lasting adhesive

Aids in maintenance and diagnosis

Know it before you blow it!

Description	Part No.
Race Engine Thermometer	RT138-248
Pack of three + decal 138-248 degrees	
Race Engine Thermometer	RT107-217
Pack of Three and Decal 107-217 degrees	

HOT RODS CONNECTING RODS



Hot Rods are double forged to improve grain flow and maintain



Sea Doo	Part No.
580 1990-96	HR8166
650 1997	HR8117
720 1995-02 MAG	HR8116
720 1995-02 PTO	HR8168
785	HR8123
951 1998-05	HR8601
951 Direct Injection	HR8628

Polaris	Part No.
700/900/1050	HR8122

Yamaha	Part No.
650/701/760/1100/1200 (97-98)	HR8169
GP800/GP1200R	HR8606

Kawasaki	Part No.
650 All	HR8113
750 (92-95), 900 ZXI	HR8114
750 (96-02), 800 03-07	HR8131
1100ZXI (95-00),STX	HR8138
Ultra 150 (99-05), STX R (02-05)	HR8607

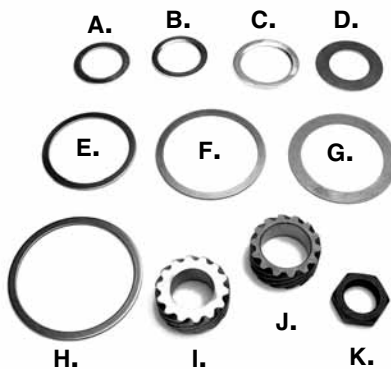


CRANK SHAFT REPLACEMENT BEARINGS



	FRONT MAG. #1	FRONT MAG. #2	INNER #1	INNER #2	REAR PTO#1	REAR PTO#2
Sea Doo						
580 87-94	6206NR	6206NR	NOT AVAILABLE	6206NR	6207NC4	6207NC4
580 95-96	6206NC4	6206NC4	NOT AVAILABLE	6206NR	6207NC4	6207NC4
650 93	6206NR	6206NR	6206NC4	6206NC4	6207NC4	6207NC4
650 94-96	6206NC4	6206NC4	6206NC4	6206NC4	6207NC4	6207NC4
720 all	6206NC4	6206NC4	6206NC4	6206NC4	6207NC4	6207NC4
800 all	6207NC4	6207NC4	6207NC4	6207NC4	6306NR	6207NC4
951 all	6208NC4	6208NC4	6306NC4 (NOT AVAILABLE)	6208NC4	6208NC4	6208NC4
Yamaha						
650/701/760	83B207		6207YR	6207YR		
1100/1200	83B207		6207YR	6207YR		
Kawasaki						
440/550	6206NR		6305N	6305N	6206N	
650/750	6306C3		6306C3	6306NR	6306C3	
900/1100/Ultra	5207-1LT		6207NLT	83A844A (3)	83A948	
Polaris						
650/701/780	6207NC4	6207NC4	6207NC4(2)	6307NR		
700/900/1050	6207NC4	6207NC4	6207NC4	6207NC4	6207NC4	6207NC4

CRANKSHAFT PARTS FOR SEA DOO



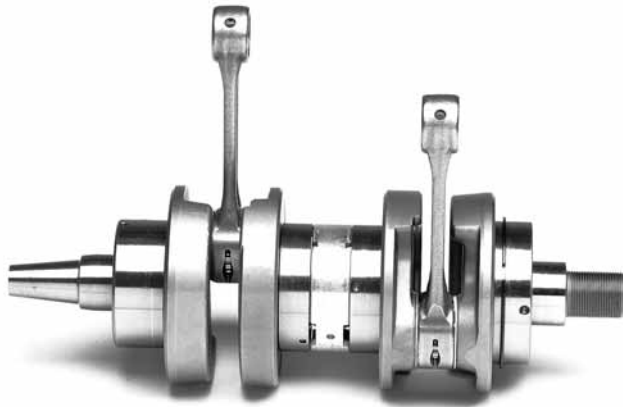
	Descriptions	Models	OEM No.	Part No.
A.	Distance Ring	720 Mag side – 1.5mm thick	290-827-447	010-474
B.	Distance Ring	580/650 Mag side – 2mm thick	290-827-440	010-472
C.	Distance Ring	580/650/720 Pto side		
		800 Mat & Pto – 2mm thick	290-827-760	010-473
D.	Flat Bearing Washer	580/650 (Small)	420-827-715	010-475
E.	Retainer Shim	720 (Small)	420-827-050	010-476
F.	Retainer Shim	720 (Medium)	420-827-050	010-477
G.	PTO Seal Retaining Ring	580/650/720/800 (Large)	420-827-715	010-479
H.	Thrust Washer	951		010-470
I.	Crank Center Gear	580		010-471-01
J.	Crank Center Gear	650/720/800		010-471
K.	Flywheel Nut	All Models	420-842-230	010-480

FOUR STROKE
INTAKE SYSTEMS
ENGINE/GASKETS
EXHAUST
DRIVE LINE HANDLING
ELECTRICAL
WATERLINE /BLIGE
STEERING & CONTROLS
BODY
ACCESSORIES
SERVICE TOOLS /HARDWARE
CHEMICAL



HOT RODS NEW COMPLETE CRANKSHAFT ASSEMBLIES

All new assembly. Crankshafts are sold complete with Hot Rods Connecting rods, main bearings and inner crankshaft webs. Tried to within .001. Crankshafts are completely rebuildable.



Sea Doo	Crank Assy.
580 All	HR4008
720 All	HR4009
785 1996-04 (will not fit fuel injection models)	HR4010
951 All Carburetor Models	HR4051
951 All Injection Models	HR4052

Yamaha	
650/701/760 All	HR4003
800 GPR	HR4072
1100 Triple (63M)	HR4104
1200 Triple (65U) (No mag end bearing)	HR4004
1200 Triple (66V)	HR4069

Kawasaki	
750 96-02, 800 SX-R 03-11	HR4061
900STX 97-06	HR4088
1100ZXI 96-03	HR4087



CRANKSHAFT WEBS

OEM Kawasaki 650/750 and Yamaha cranks are non-rebuildable. In order to rebuild these crankshafts the crankshaft webs must be replaced.

Yamaha	Part No.
650/701/760/1100/1200	HR201
Kawasaki	
750 93-94 (26mm Crank Pin)	HR202
650	HR203
750ZXI/SXI (28mm Crank Pin)	HR205
900 All, 1100 97-98	HR206

*Web Kit contains 2 webs without crank pin.



CRANKSHAFT OIL SEAL KIT

Hot Products has researched and tested these crank case seal kits to ensure the highest of quality and durable seals on the market. These seals are a direct replacements for the OEM seals. Why risk an engine failure or a short seal life with low cost seals when Hot Products has these seals in stock and ready for installation in your customers engine.

Sea Doo	Part No.
580	51-0068
650/720	51-0069
785	51-0072
951 Outer Seals Only	51-0073
951 Inner Seals Only	51-0073B

Yamaha	Part No.
500 87-90	51-0048
650/701/760/1100/1200	51-0054
800	51-0057
GP1200R	51-0058

Kawasaki	Part No.
440 73-80 (Full Circle)	51-0014
440 81-91/550JS/550SX	51-0015
650/750/800	51-0027
900/1100	51-0029



HOT PRODUCTS GASKET SETS

Hot Products gasket sets consist of superior quality gaskets for engine rebuilders and the hi-performance personal watercraft market.

Hot Products offers top end and complete gaskets sets.
Made in the USA.



Sea Doo	Top	Complete
580 -91 Yellow Eng.SP/XP/GT	6400	6425
580 92+ White Eng.SP/SPI/XP/GTS	6440	6465
650 GTX/XP/XPI/SPX	6480	6500
720 SPX/GTI/HX	6600	6610
785 XP/GSX/GTX	6620	6640
800 DI	6855	6860
951 97 GSX LTD White Eng.	6825	6830
951 98 XP LTD, GSX LTD Silver Eng	6840	6842
951 DI.	6875	6880
4-Tec	—	6990K

Polaris	Top	Complete
650	4200	4210
750	4220	4230
700 Hurricane, Virage, Freedom	4375	4378
Octane 777	—	4860
780	4235	4240
785/Pro	4250	4260
900	4380	4383
1050	4385	4390
1200 Genesis	4394	4395

Yamaha	Top	Complete
WJ/WR500	—	51-4803
SJ/WR111V/XR650 (90-93)	2600	2650
LX650 (90-93)	—	51-5703
701SJ-95, BLST-95, 701W/Raider 96+	2700	2750
701SJ 96+, BLST 96+	2550	2555
701W/RDR 94-95/Venture 95+	2950	2980
760W/RDR 96+/BLST II 96+/XL760	2990	2992
800 GP 98+	3520	3530
1100Raider/Venture	4520	4530
1200 GP, XL1200	4680	4685
GP1200R, XL1200LTD	3730	3740
GP1300R	3800	3810
FX140	—	8408K
FX140 HO (High Output)	—	8410K
VX110	—	8441K

Kawasaki	Top	Complete
440 77-80	—	51-1203
440 81-92	—	51-1503
550 82-85	5550	5560
550 86-90	5570	5580
550SX 91-95	—	51-2403
650 All	—	5940
650 X2, TS	—	5960
750 All/800SXR	7200	—
750 SX/SXI/SXI Pro	7200	7210
750 SS/XI	7200	7220
750 SS 92-93	7200	7240
750 XIR	7200	7230
750 95 STS	7200	7225
750 ZXI 95+	7200	7245
800 SXR 03-07	7300	7310
900 ZXI 95+	7500	7520
1100 ZXI 96-98	7670	7680
Ultra 150 99+	7830	7835

Tiger Shark	Top	Complete
639	3100	3110
644	3100	3120

**** Hot Products Complete Gasket Sets do not include bottom end engine seals.**

INDIVIDUAL GASKETS FOR SEA DOO

580 PRE '92 SP/XP/GT (Yellow Engine)

YELLOW ENGINE	OEM No.	Part No.
Top Kit	Yellow Engine	6400
Complete Kit	Yellow Engine	6425
Head Cover O-Ring	290-950-050	6200*
Spark Plug O-Ring (2 required)	290-430-782	6220*
Cylinder O-Ring (2 required)	290-850-540	6170*
Water Jacket O-Ring (2 required)	290-850-040	6230*
Base Gasket	290-931-160	6000*
Carb Gasket 38mm (2 required)	290-842-040	6100*
Exhaust Gasket (2 required)	290-850-630	6050*
Headpipe Gasket	290-950-250	6140*
Starter Gasket	290-950-905	6120
Water Dist	290-831-612	6110
Water Mani O-Ring (2 required)	290-430-460	6240*
Flywheel Housing	290-850-600	6125
Rotary Valve Shaft O-Ring	290-831-500	6260
Rotary Valve Cover O-Ring	290-831-360	6250
Manifold O-Ring (2 carb)	290-831-705	6270
Manifold O-Ring (1 carb)	290-850-160	6275
Flywheel Cover O-Ring	290-950-130	6280

580 '92+ SP/SPI/XP/GTS (WHITE ENGINE)

WHITE ENGINE	OEM No.	Part No.
Top Kit	White Engine	6440
Complete Kit	White Engine	6465
Head Cover O-Ring	290-950-360	6205*
Spark Plug O-Ring (2 required)	290-430-782	6220*
Cylinder O-Ring (2 required)	293-300-026	6170*
Water Jacket O-Ring (2 required)	290-850-040	6230*
Base Gasket	290-931-161	6020.3*
Carb Gasket 38mm (2 required)	290-850-373	6100*
Carb Gasket 39mm (2 required)	270-000-114	6105*
Exhaust Gasket (2 required)	290-850-635	6060*
Headpipe Gasket	290-950-251	6150*
Starter O-Ring	278-000-694	6152
Flywheel Housing	290-850-605	6130
Rotary Valve Shaft O-Ring	293-300-023	6250
Rotary Valve Cover O-Ring	293-300-024	6260
Manifold O-Ring (2 carb)	290-831-705	6270
Flywheel Cover O-Ring	290-831-555	6278

* Denotes when the gasket is included in the Top End Gasket Set.

FOUR STROKE
INTAKE SYSTEMS
ENGINE/GASKETS
EXHAUST
DRIVE LINE HANDLING
ELECTRICAL
WATERLINE /BILGE
STEERING & CONTROLS
BODY
ACCESSORIES SERVICE TOOLS /HARDWARE
CHEMICAL

INDIVIDUAL GASKETS FOR SEA DOO

951 97+ GSX LTD, XP LTD

FOUR STROKE
INTAKE SYSTEMS
ENGINE/GASKETS
EXHAUST
DRIVE LINE HANDLING
ELECTRICAL
WATERLINE /BILGE
STEERING & CONTROLS
BODY
SERVICE TOOLS ACCESSORIES /HARDWARE
CHEMICAL

650 GTX/XP/XPI/SPX

	OEM No.	Part No.
Top Kit		6480
Complete Kit		6500
Head Cover O-Ring	290-950-320	6210*
Spark Plug O-Ring (2 required)	290-430-782	6220*
Cylinder O-Ring (2 required)	290-931-220	6180*
Water Jacket O-Ring (2 required)	290-850-045	6235*
Base Gasket (.012/0.3mm)	290-931-161	6020.3
Base Gasket (.017/0.4mm)	290-931-162	6020.4
Base Gasket (.020/0.5mm)	290-931-163	6020.5*
Base Gasket (.024/0.6mm)	290-931-164	6020.6
Base Gasket (.030/0.8mm)	290-931-165	6020.8
Carb Gasket 38mm (2 required)	290-850-373	6100*
Exhaust Gasket (2 required)	290-850-637	6080*
Headpipe Gasket	290-950-251	6150*
Starter O-Ring	278-000-694	6152
Flywheel Housing	290-850-605	6130
Rotary Valve Cover O-Ring	293-300-023	6250
Rotary Valve O-Ring	293-300-024	6260
Manifold O-Ring (2 carb)	290-831-705	6270
Flywheel Cover O-Ring	290-831-555	6278

720 SPX/GTI/HX/GTS/GS

	OEM No.	Part No.
Top Kit		6600
Complete Kit		6610
Head Cover O-Ring	290-950-360	6205*
Spark Plug O-Ring (2 required)	290-430-782	6220*
Cylinder O-Ring (2 required)	290-931-410	6185*
Water Jacket O-Ring (2 required)	290-850-045	6235*
Base Gasket (.012/0.3mm)	290-931-400	6025.3
Base Gasket (.017/0.4mm)	290-931-401	6025.4
Base Gasket (.020/0.5mm)	290-931-402	6025.5*
Base Gasket (.024/0.6mm)	290-931-403	6025.6
Base Gasket (.030/0.8mm)	290-931-404	6025.8
Carb Gasket 41mm (2 required)	293-250-042	6107*
Exhaust Gasket (2 required)	290-850-637	6080*
Headpipe Gasket	290-950-251	6150*
Starter O-Ring	278-000-694	6152
Flywheel Housing	290-850-605	6130
Rotary Valve Cover O-Ring	293-300-023	6250
Rotary Valve Shaft O-Ring	293-300-024	6260
Flywheel Cover O-Ring	290-831-555	6278

785 XP/GSX/GTX/SPX

	OEM No.	Part No.
Top Kit		6620
Complete Kit		6640
Head Cover O-Ring	290-831-550	6612*
Spark Plug O-Ring (2 required)	290-430-782	6220*
Cylinder O-Ring (2 required)	290-931-410	6185*
Water Jacket O-Ring (2 required)	290-931-420	6614*
Base Gasket (.012/0.3mm)	290-931-720	6035.3
Base Gasket (.017/0.4mm)	290-931-721	6035.4
Base Gasket (.020/0.5mm)	270-931-722	6035.5*
Base Gasket (.024/0.6mm)	290-931-723	6035.6
Base Gasket (.030/0.8mm)	290-931-724	6035.8
Carb Gasket 41mm (2 required)	293-250-042	6107*
Power Valve Gasket (2 required)	290-931-540	6618
Power Valve O-Ring (2 required)	290-430-110	6622
Exhaust Gasket	290-931-480	6082*
Head Pipe Gasket	290-931-500	6155*
Balance Shaft O-Ring	290-230-300	6624
Manifold O-Ring	290-831-765	6628
Rotary Valve Shaft O-Ring	293-300-024	6260
Starter O-Ring	278-000-694	6152
Flywheel Housing Gasket	290-931-470	6045
Flywheel Cover O-Ring	290-950-360	6632
Oil Pump O-Ring	293-300-018	6255
PTO O-Ring	290430-782	6220

	OEM No.	Part No.
Top Kit 951 '97	White Engine	6825
Complete Kit 951 '97	White Engine	6830
Top Kit 951 '98	Silver Engine	6840
Complete Kit 951 '98	Silver Engine	6842
Head Gasket	290-931-700	6700*
Head Gasket (91.25)		6700BB
Base Gasket '97	290-931-680	6730.3*
Base Gasket '97	290-931-681	6730.4*
Base Gasket '97	290-931-682	6730.6*
Base Gasket '98	290-931-685.5	6732.5*
Base Gasket '98	290-931-686.6	6732.6*
Base Gasket '98	290-931-687.8	6732.8*
Carb Gasket 48mm (2 required)	270-500-384	6740*
Power Valve O-Ring (2 required)	290-430-110	6622*
Power Valve Housing O-Ring	290-931-670	6750*
Exhaust Gasket (2 required)	293-250-081	6760*
Headpipe Gasket 97	290-931-487	6770*
Headpipe Gasket 98	429-931-488	6775*
Stud O-Ring	290-850-460	6780
Balance Shaft O-Ring	290-230-300	6624
Starter O-Ring	278-001-159	6790
Flywheel Housing	290-931-690	6795
Oil Pump O-Ring	293-300-018	6255

SEA DOO 800 DI

	OEM No.	Part No.
800 DI Top Kit	*	6850
800 DI Complete Kit	ALL	6855
Head Cover O-Ring	420-831-550	6612*
Spark Plug O-Ring (2 Req'd)	420-430-782	6220*
Cylinder O-Ring (2 Req'd)	420-931-410	6185*
Water Jacket O-Ring (2 Req'd)	420-931-420	6614*
Base (3 Hole 0.12)	420-931-728	6035.3
Base (4 Hole 0.16)	420-931-728	6035.4*
Base (6 Hole 0.24)	420-931-728	6035.6
Power Valve O-Ring (2 Req'd)	290-931-765	6622
Power Valve Housing O-Ring	290-931-670	6750
Exhaust	290-931-481	6082*
Headpipe	420-931-503	6155*
Balance Shaft O-Ring	290-230-300	6624
Manifold O-Ring	290-831-767	6628
Rotary Valve Shaft O-Ring	293-300-024	6260
Starter O-Ring	278-000-694	6152
Flywheel Housing Gasket	290-931-470	6045
Flywheel Cover O-Ring	290-950-360	6632
Oil Pump O-Ring	293-300-018	6255
Case Plug O-Ring	290-250-890	6650
Intake Manifold O-Ring	420-850-520	6655
Rectifier Cover O-Ring	420-850-390	6784
Bearing Cover O-Ring	420-230-300	6624
Sump Cover O-Ring	420-950-360	6205

SEA DOO 950 DI

	OEM No.	Part No.
950 DI Top Kit	2000+	6875
950 DI Complete Kit	2000+	6880
Head	420-931-706	6705*
Base (3 Hole 0.12)	420-931-905.3	6734.3*
Base (4 Hole 0.16)	420-931-905.4	6734.4*
Base (6 Hole 0.24)	420-931-9053.6	6734.6*
Reed (Not Req'd w/Stock Reeds)		6745
Power Valve O-Ring (2 Req'd)	290-850-460	6622*
Power Valve Housing O-Ring	290-931-670	6750*
Exhaust (2 Req'd)	293-250-081	6760*
Headpipe	420-931-990	6870*
Balance Shaft O-Ring	290-230-300	6624
Starter O-Ring	278-001-159	6790
Flywheel Cover	290-931-690	6795
Oil Pump O-Ring	293-300-018	6255
Engine Bottom Cover O-Ring	420-931-880	6782
Rectifier Cover O-Ring	420-850-390	6784
Compressor	420-230-300	6624
Compressor Gasket	420-931-870	6850
O-Ring	293-300-054	6862
O-Ring	293-300-076	6865
O-Ring	293-300-070	6868



INDIVIDUAL GASKETS FOR YAMAHA

WAVE JAMMER, WAVE RUNNER 500

	OEM No.	Part No.
Complete Kit		51-4803
Head	6K8-1181	2000
Carb	6K8-13556	2010
Thermostat Cover	655-12414	2020
Reed	6K8-13621	2030
Oil Seal Housing	6K8-15369	2040
Flywheel Cover	6K8-81365	2050
Flame Arrestor	6K8-13674	2060
Exhaust Cover #1	6K8-41124	2070
Exhaust Cover #2	6K8-41122	2080
Exhaust Cover Inner	6K8-41112	2090
Exhaust Cover Outer	6K8-41114	2100
Muffler Damper #1	6K8-14739	2110
Muffler Damper #2	6K8-14749	2120
Silencer	6K8-14755	2130
Upper Case	6K8-45113	2140

650 SUPERJET 90-93, WRIII 90-93

	OEM No.	Part No.
Top Kit		2600
Complete Kit		2650
Head 77mm .050	6R7-11181	2205*
Base	6M6-11351	2220*
Carb (2 required)	6M6-13556	2230*
Top Manifold	6M6-13563	2240*
Lower Manifold	6M6-13566	2260*
Reed (2 required)	6M6-13621	2280*
Exhaust	6M6-14613	2310*
Oil Pump	6R8-13116	2340
Air Cleaner (2 required)	6M6-13674	2350
Flywheel Cover	6M6-81365	2360
Head Pipe	6R7-14755	2370
Outer Cover	6R7-41114	2380
Damper	6R7-14749	2390
Exhaust Pipe (2 required)	6M6-14739	2400
Head Cover	6M6-11193	2410

701 SUPERJET 94-95, BLASTER 93-95 WAVE RAIDER 96, WRIII 94-95

	OEM No.	Part No.
Top Kit		2700
Complete Kit		2750
Head 82mm .050	61X-11181A	2215*
Base	6M6-11351	2220*
Carb (2 required)	6M6-13556	2230*
Top Manifold	61X-13563	2250*
Lower Manifold	61X-13566	2270*
Reed (2 required)	61X-13621	2290*
Exhaust Green	61X-14613	2330*
Oil Pump	6R8-13116	2340
Flame Arrestor (2 required)	6M6-13674	2350
Flywheel Cover	6M6-81365	2360
Silencer (aka Head Pipe)	6R7-14755	2370
Outer Cover	6R7-41114	2380
Damper	6R7-14749	2390
Exhaust Pipe	6M6-14739	2400
Head Cover	6M6-11193	2410

* Denotes when the gasket is included in the Top End Gasket Set.

701 SUPERJET 96-99, WAVE BLASTER 96

	OEM No.	Part No.
Top Kit		2550
Complete Kit		2555
Head 82mm	62T-11181	2215*
Base	6M611351	2220*
Reed (2 required)	62T-13566	2830*
Carb Manifold	62T13556	2820*
Carb Base (2 required)	-	5460
Exhaust Green	61X-14613	2330*
Oil Pump	6R8-13116	2340
Arrestor (2 required)	62T-13674	2825
Flywheel Cover	6M6-81365	2360
Head Pipe	6R7-17455	2370
Outer Cover	6R741114	2380
Damper	6R7-14749	2390
Exhaust Pipe	6M6-14739	2400

701 WAVE RAIDER 94-95, WAVE VENTURE 95+

	OEM No.	Part No.
Top Kit		2950
Complete Kit		2980
Head Green	62T-11181	2810*
Base	6M6-11351	2220*
Carb Base	62T-14398	5030*
Carb Manifold	62T-13556	2820*
Air Cover	62T-13674	2825
Flywheel Cover	6M6-81365	2360
Reed (2 required)	62T-13566	2830*
Exhaust Green	62T-14613	2850*
Muffler Damper 1	62T-14739	2860
Head Pipe	62T-14749	2870
Exhaust Outer Cover #1	62T-41114	2880
Exhaust Inner Cover	62T-41122	2890
Exhaust Outer Cover #2	62T-41124	2900
Oil Pump	6R8-13116	2340
Ignition Box Cover	6M6-81921	2116A

760 WAVE RAIDER 96+, BLASTER II 96+, XL760W

	OEM No.	Part No.
Top Kit		2990
Complete Kit		2992
Head .025 Stainless	64X-11181	3200*
Head .050 86mm	Ultimate	3210
Base	6M6-11351-A2	3205*
Carb Base (2 required)	62T-14398	5460*
Carb Manifold	64X-13556	3220*
Arrestor (2 required)	64X-13674	3230*
Reed (2 required)	62T-13566	2830*
Exhaust Green	62T-14613	2850*
Flywheel Cover	6M6-81365	2360
Head Pipe	64X-14749	2870
Exhaust Outer Cover #1	62T-41114	2880
Exhaust Inner Cover	62T-41122	3240
Outer Cover Exhaust	62T-41124	3250
Oil Pump	6R8-13116	2340

GP800 98+

	OEM No.	Part No.
Top Kit		3520
Complete Kit		3530
Head .025 Stainless		3400*
Head .050 82mm	Ultimate	3410
Base (2 required)		3420*
Carb Base		5460
Carb Manifold		3430*
Exhaust Green		3450*
Head Pipe		3460
Power Valve (2 required)		3470
Exhaust Section		3480
Oil Pump		2340

FOUR
STROKE

INTAKE
SYSTEMS

ENGINE/
GASKETS

EXHAUST

DRIVE LINE
HANDLING

ELECTRICAL

WATERLINE
/BLIGE

STEERING
& CONTROLS

BODY

ACCESSORIES

SERVICE TOOLS
/HARDWARE

CHEMICAL

INDIVIDUAL GASKETS FOR YAMAHA

YAMAHA 1300 GPR

1100 WAVE VENTURE / WAVE RAIDER

	OEM No.	Part No.
Top Kit		4520
Complete Kit		4530
Head .050 82mm	63M-11181	4400*
Base	63M-11351	4415*
Carb Base	63M-14398	5030
Carb Manifold	63M-13556	4420*
Reed (2 required)	63M-13566	4430*
Exhaust	63M-14613	4450*
Muffler Damper 1	63M-14739	4455
Muffler Damper 2	63M-14749	4460
Exhaust Outer Cover (2 required)	63M-41114	4470
Exhaust Inner Cover	63M-41122	4480
Head Cover	63M-11193	4500
Flywheel Cover	63M-81365	4505
Oil Pump	63M-13116	4510

	OEM No.	Part No.
1300 Top Kit		3800
1300 Complete Kit		3810
Head .025 Stainless Steel	66V-11181	3605*
Base (3 Req'd)	66E-11351	3420*
Manifold		3620*
Reed	NOE	3435
Reed Center	NOE	3440
Power Valve (3 Req'd)	66E-1131B-01	3470
Exhaust	66V-14613	3650
Head Pipe	66V-14739	3660
Chamber	66V-14749	3670
Outer Cover #1	66V-41114	3680
Outer Cover #2	66V-41124	3690
Tail Cone	66V-14623	3700
Starter O-Ring	1FK-81847	3490
Oil Pump	63M-13116	2340

YAMAHA GP 1200, XL 1200 98+

	OEM No.	Part No.
Top Kit		4680
Complete Kit		4685
Head .025 86mm	65U-11181	4600*
Head .050 86mm Green	Ultimate	4610
Base	65U-11351	4615*
Carb Base XL 1200 W	65U-13556	5460
Carb Manifold	64X-14162	4620*
Spark Arrester	-	4630
Reed (2 required)	65U-13566	4430*
Exhaust	65U-14613	4650*
Muffler Damper 1	63M-14739	4455
Head Pipe	63M-14749	4460
Exhaust Outer Cover (2 required)	63M-41114	4470
Exhaust Inner Cover	63M-41122	4480
Head Cover	63M-11193	4500
Flywheel Cover	63M-81365	4505
Oil Pump	63M-13116	4510



INDIVIDUAL GASKETS FOR KAWASAKI

440 ALL

	OEM No.	Part No.
Complete Kit 77-80		51-1203
Complete Kit 81-92		51-1503
Head	11004-3707	5200
Base	11009-505	5240
Intake	11009-3785	5250
Carb Base 38mm	11009-3786	5030
Housing Pre 82	92065-515	5270
Exhaust	11009-3779	5280
Headpipe Green	11060-3710	5290
Arrester 38mm	11060-3702	5080

YAMAHA GP 1200R, XL 1200LTD

	OEM No.	Part No.
Top Kit		3730
Complete Kit		3740
Head .025 Stainless Steel	66V-11181	3600*
Base (3 Required)	66E-11351	3420*
Carb Base (3 Required)	66E-14398	3425*
Carb Manifold	66V-13558	3620*
Reed	-	3435
Reed Center	-	3440
Power Valve (3 Required)	66E-1131B-0	3470
Exhaust Green	66V-14613	3650
Head Pipe	66V-14739	3660
Chamber	66V-14749	3670
Outer Cover #1	66V-41114	3680
Outer Cover #2	66V-41124	3690
Tail Cone	66V-14623	3700
Starter O-Ring	1FK-81847	3490
Oil Pump	63M-13116	2340
Head Cover	66V-11193	3610

550 1982-85, 1986-90

	OEM No.	Part No.
Top Kit 1982-85		5550
Complete Kit 1982-85		5560
Top Kit 1986-90		5570
Complete Kit 1986-90		5580
Head All	11004-3709	5400*
Base	11009-3782	5430*
Intake (2 required)	11009-3785	5250*
Carb Base 38mm Pre 86	11009-3786	5030*
Carb Base 44mm 86-90	11060-3743	5460*
Exhaust	11009-3779	5280*
Headpipe Pre-86	11009-3051	5480
Conn Pipe Lower Pre 86	11060-3730	5490
Headpipe	11060-3726	5500
Conn Pipe 86-90	11060-3727	5510
Chamber 86-90	11060-3278	5520
Arrester 38mm Pre 86	11060-3702	5080
Arrester 44mm 86-90	11060-3744	5540

★ Denotes when the gasket is included in the Top End Gasket Set.



INDIVIDUAL GASKETS FOR KAWASAKI

550sx 1991-95

	OEM No.	Part No.
Complete Kit		51-2403
Head .010 Stainless	11004-3706	51-2409
Head .047 Green		5610
Base .010 Stainless	11009-3780	5630
Base .020 Fiber		5635
Reed	11009-3787	5640
Intake	11009-3788	5650
Keihin 38mm	11060-3716	5660
Exhaust	11009-3779	5280
Headpipe	11060-3726	5500
Conn Pipe	11060-3727	5510
Chamber	11009-2446	5520

KAWASAKI 650, X2/TS/SC

	OEM No.	Part No.
650 Complete		5940
650 X2, TS Complete		5960
Head .010 Stainless	11004-3710	5800
Head .040 Green	Ultimate	5830
Base	11009-3775	5850
Reed	11009-3731	5860
Keihin 28mm Carb Base	11009-3747	5870
Keihin 38mm Carb Base	11060-3716	5660
Exhaust	11009-3722	5880
Head Pipe	11009-3752	5890
Head Pipe 46mm ID Green	11009-3752	5900
Muffler TS	11060-3718	7120
X-2 Conn Pipe	11009-3724	5910
Control Valve All	11060-3723	7150

750SX, SXI, SXI PRO

	OEM No.	Part No.
Top Kit	All 750	7200
Complete Kit	SX/SXI	7210
Head .010 Stainless	11004-3714	7000*
Base	11060-3711	7040*
Reed A SX(4pcs) SXI(2pcs)	11060-3717	7050*
Reed B SXI(2pcs)	11060-3757	7430*
40mm Carb	11060-3716	7060*
40mm Carb SXI 96+	11060-3761	7065*
Exhaust (2 required)	11060-3759	7070*
Head Pipe SX, SXI	11060-3712	7080
Upper Muffler SX, SXI	11060-3713	7090
Muffler SX, SXI	11060-3714	7140
Control Valve All	11060-3723	7150

* Denotes when the gasket is included in the Top End Gasket Set.

750 SS, XI, XIR

	OEM No.	Part No.
Top Kit	All 750	7200
Complete Kit	SS/XI	7220
Complete Kit	SS 92-93	7240
Complete Kit	XIR	7230
Head .010 Stainless	11004-3714	7000*
Base All	11060-2711	7040*
Reed (4pcs) SS92+, XI93-95, XI	11060-3717	7050*
Reed A XI 96 (2 pcs)	11060-3717	7050*
Reed B XI 96 (2 pcs)	11060-3757	7430*
40mm Carb SS, XI, XIR	11060-3716	7060*
40mm Carb XI 96	11060-3758	7060*
Exhaust All	11060-3721	7070
Head Pipe SS 92-93	11060-3720	7100
Head Pipe SS 94+, ST, XI 93+	11060-3732	7110
Head Pipe (XIR)	11009-3752	5900
Muffler XI, SS	11060-3718	7120
Control Valve All	11060-3723	7150

750 STS, ZXI

	OEM No.	Part No.
Top Kit	ALL 750	7200
750 Complete	95 STS	7225
750 Complete	ZXI 95+	7245
Head .010 Stainless	11004-3714	7000*
Base All	11060-3711	7040*
Reed A ZXI, STS (2), ST (4)	11060-3717	7050*
Reed B ZXI, STS (2)	11060-3757	7430*
40mm Carb ZXI, STS (2)	11060-3758	7060*
Exhaust STS 95-96, ZXI (2)	11060-3721	7070*
Headpipe 95 STS	11060-3732	7110
Headpipe 96 STS	11060-3771	7115
Headpipe ZXI 95-96	11060-3754	7470
Muffler 1 95 STS	11060-3718	7120
Exhaust Joint STS 96	11060-3763	7125
Muffler 1 96 STS	11060-3766	7135
Muffler 2 96 STS	11060-3770	7145
Muffler ZXI 95-96	11060-3755	7480
Control Valve All	11060-3723	7150

KAWASAKI 800 SXR

	OEM No.	Part No.
800 Top Kit		7300
800 Complete Kit		7310
Head Stainless Steel .010	11004-3720	7005*
Base SXR	11060-3711	7040*
Reed SXR (4 required)	11060-3717	7050*
Reed SXR (2 required)	11060-3757	7430*
40mm Carb SXR (2 required)	11060-3761	7067*
Exhaust SXR (2 required)	11060-3759	7075*
Headpipe SXR	11060-3712	7080
Upper Muffler SXR	11060-3713	7090
Muffler SXR	11060-3714	7140

KAWASAKI 900 ZXI 95+

	OEM No.	Part No.
Top Kit		7500
Complete Kit		7520
Head .010 Stainless	11004-3713	7400*
Head .040 Fiber		7410
Base	11060-3752	7420*
Reed Engine (3 required)	11060-3717	7050*
Reed Carb (3 required)	11060-3757	7430*
Exhaust (3 required)	11060-3756	7450*
Carb Base	11060-3753	7460
Headpipe	11060-3754	7470
Muffler	11060-3755	7480

FOUR STROKE
INTAKE SYSTEMS
ENGINE/GASKETS
EXHAUST
DRIVE LINE HANDLING
ELECTRICAL
WATERLINE /BILGE
STEERING & CONTROLS
BODY
ACCESSORIES
SERVICE TOOLS /HARDWARE
CHEMICAL

KAWASAKI 1100ZXI 96-98

	OEM No.	Part No.
Top Kit		7670
Complete Kit		7680
Head .010 Stainless	11004-3715	7600
Head .040 Fiber		7605
Base	11060-3760	7615
Reed Engine	11060-3717	7050
Reed Carb	11060-3757	7630
Exhaust Manifold	11060-3767	7650
Carb	11060-3775	7652
Carb	11060-3776	7655
Headpipe to Muffler	11060-3768	7660
Exhaust Head Pipe	11060-3769	7665

KAWASAKI ULTRA 150 99+

	OEM No.	Part No.
Top Kit		7830
Complete Kit		7835
Head Stainless Steel .010*	11004-3717	7700*
Base	11060-3783	7715*
Water Pipe	11060-3785	7720
Reed (3 Req'd)	11060-3717	7050*
Reed Carb (3 Req'd)	11060-3757	7630*
Exhaust (3 Req'd)	11060-3785	7750*
Carb (3 Req'd)	11060-3788	7760
Head Pipe	11060-3786	7770
Exhaust Body	11060-3787	7780
Flywheel Cover	11060-3803	7790

INDIVIDUAL GASKETS FOR POLARIS

700 HURRICANE, VIRAGE, FREEDOM

	OEM No.	Part No.
Top Kit		4375
Complete Kit		4378
Head O-Ring (2 required)	5410931	4300*
Cylinder O-Ring (2 required)	5410932	4305*
Spark Plug O-Ring (2 required)	5410917	4310*
Base (2 required)	5811057	4315*
Base Virage-Freedom (2 required)	5811784	4805*
Reed Engine Side	N.O.E	4317
Reed Carb Side	N.O.E	4319
Carb (2 required)	5830043	4320*
Arrestor	5830062	4325
Exhaust (2 required)	5811045	4330*
Headpipe (2 required)	5830051	4335*
Flywheel Cover	5811145	4337
Water Manifold (2 required)	5830061	4339
Oil Pump O-Ring	5411056	4340
Thermostat Housing	5410860	4353
Crank O-Ring	5410613	4356
Starter O-Ring (2 required)	3240114	4359

POLARIS 650/750

	OEM No.	Part No.
650 Top Kit		4200
650 Complete Kit		4210
750 Top Kit		4220
750 Complete Kit		4230
Head 650 .010 Stainless (3 req'd)	3240057	4000*
Head 750 .040 Stainless (3 req'd)	3240213	4010*
Head 650 .040 Fiber	Ultimate	4020
Base .020 (3 required)	3240055	4040*
Reed(6 required)	3084148	4050*
Carb (6 required)	3240128	5030*
Arrestor	5830013	4065
Exhaust (3 required)	5211489	4070*
Headpipe	5830038	4080*
Water Manifold (3 required)	3082937	4100
Thermostat Housing	5410781	4110
Oil Pump O-Ring	3083127	4112
Starter O-Ring (2 required)	3240114	4359

POLARIS 780, 785 PRO

	OEM No.	Part No.
Head 780 Stainless (3 required)	3240251	4035*
Head 785 Stainless (3 required)	3240305	4037*
Base (3 required)	3240249	4040*
Reed (3 required)	3084148	4050*
Carb (3 required)	3240128	5030*
Carb 785 (3 required)	3240358	9240*
Arrestor (3 required)	5830013	4065*
Arrestor 785 (3 required)	5830115	5540*
Exhaust	5211623	4077*
Exhaust 785	5211725	4078
Exhaust 785 O-Ring (6 required)	5411311	4079
Head Pipe	5830038	4080*
Power Valve 785 (3 required)	3240313	4085
Water Manifold	3082937	4100
Oil Pump O-Ring	3083127	4112
Thermostat Housing	5410781	4110
Starter O-Ring	3240114	4359

POLARIS 900/1050

	OEM No.	Part No.
Top Kit 900		4380
Complete Kit 900		4383
Top Kit 1050		4385
Complete Kit 1050		4390
Head O-Ring (3 required)	5410931	4300*
900 Cylinder O-Ring (3 required)	5411044	4303*
1050 Cylinder O-Ring (3 required)	5410932	4305*
Spark Plug O-Ring (3 required)	5410917	4310*
Base 900 (3 required)	5811057	4315*
Base 1050 (3 required)	5830123	4316
Reed		4318
Carb (3 required)	5830043	4320
Arrestor	5830062	4325
Exhaust (3 required)	5811045	4330*
Headpipe	5830051	4335
Flywheel Cover	5811145	4337
Water Manifold	5830061	4339
Oil Pump O-Ring	5411056	4340
Thermostat Housing	5410860	4353
Crank O-Ring	5410613	4356
Starter O-Ring	3240114	4359

INDIVIDUAL GASKETS FOR TIGER SHARK

TIGER SHARK 639, 644

	OEM No.	Part No.
Top Kit 639/644		3100
639 Complete Kit		3110
644 Complete Kit		3120
Head	3008-174	3000*
Head 639,644 77MM .040	Ultimate	3010
Base	3008-050	3030*
Reed (4 required)	3008-076	3040*
Carb Base 44mm	3008-057	5460*
Exhaust (2 required)	3008-080	3060*
Head Pipe	3008-081	3070
Connector Pipe 644 only	3008-082	3080
Air Cleaner	3008-058	3090

*** Denotes when the gasket is included in the Top End Gasket Set.**

INDIVIDUAL GASKETS BY SECTION

HEAD GASKETS



Head gaskets for all applications including high performance racing applications. All gaskets meet or exceed the OEM manufacturers specifications.

Head gaskets are available in:
Metal, Copper, and "Ultimate" Green fiber.

Sea Doo Cylinder	Type	Part No.
O ring set 580 92+	O-Ring	6170
O ring set 650	O-Ring	6180
O ring set 720/785	O-Ring	6185
951 (carb) 97+	Metal 88-90mm	6700
951 (carb) 97+	Metal 91.25mm	6700BB
951 DI	Metal 88-90mm	6705
4-Tec	—	6900

Sea Doo Head Cover	Type	Part No.
O ring 580 Yellow Engine	O-Ring	6200
O-Ring 580 White Engine/720	O-Ring	6205
O ring 650	O-Ring	6210
O ring 785	O-Ring	6612

Polaris	Thickness	Type		Part No.
650	0.040	Green	(3 Required)	4020
750	0.040	Green	(3 Required)	4030
650	0.010	Metal	(3 Required)	4000
750	0.010	Metal	(3 Required)	4010
780	0.010	Metal	(3 Required)	4035
785	0.010	Metal	(3 Required)	4037

Polaris Head O-Ring	Part No.
700 Hurricane/900/1050	4300

Polaris Cylinder O-Ring	Part No.
700 Hurricane/1050	4305
900	4303

Yamaha	Thickness	Type	Part No.
500 All	0.040	Fiber	2000
500 All	0.050	Green	2005
650 All 77mm	0.050	Green	2205
701 All 82mm	0.050	Green	2215
701 W/Raider	0.050	Green	2810
760 86mm	0.050	Green	3210
GP800	0.050	Green	3410
1100 82mm	0.050	Green	4400
1200 86mm	0.050	Green	4610
760 86mm	0.025	Metal	3200
GP800	0.050	Metal	3400
1200 86mm	0.025	Metal	4600
GP1200R,XL1200LTD	0.025	Metal	3600
FX140	—	—	8102
FX140 HO	—	—	8102
VX110	—	—	8215

Kawasaki	Thickness	Type	Part No.
440 77-80	0.040	Fiber	51-1206
440 81-92	0.040	Fiber	5200
550 82-90	0.040	Fiber	5400
550 91-95	0.047	Green	5610
650 84MM	0.040	Fiber	51-2707
650 All	0.040	Green	5830
750 All	0.040	Green	7020
900 ZXI	0.040	Green	7410
1100 ZXI	0.040	Green	7605
550 91-	0.010	Metal	51-2409
650 All	0.010	Metal	5800
750 All	0.010	Metal	7000
900 ZXI	0.010	Metal	7400
1100 ZXI	0.010	Metal	7600
550 91-	0.020	Copper	51-2410
800 SX-R	0.010	Metal	7005
800 SX-R	.005	Copper	TBM125-H-COP

ThreeBond



1211 (White)



1207 D (Black)

THREE BOND SILICON GASKET

#1211 (White) Silicon Liquid Gasket

High grade silicon liquid gasket used by many OEM's in aluminum case assembly. 1211 is tack free in 90 minutes and fully cured in 24 hours.

#1207D (Black) Quick Dry Silicon Gasket

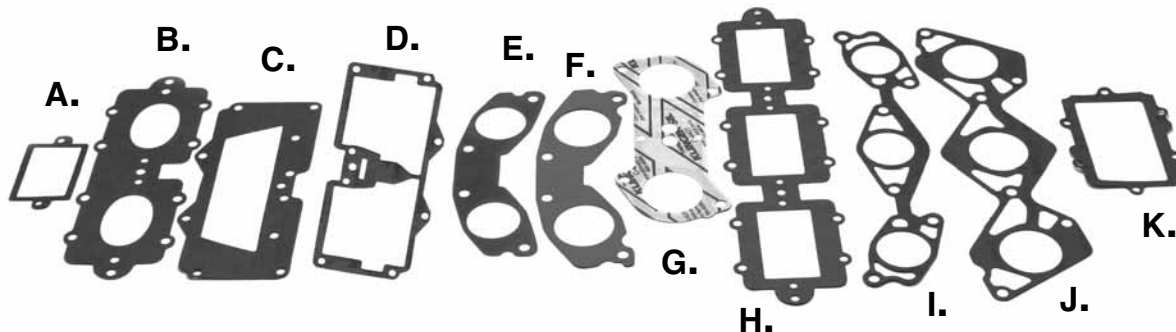
Crankcase sealer for large gaps, sheet metal, tough to seal areas, and vertical applications. 1207D is tack free in 5 minutes and fully cured in 24 hours.

Descriptions	Part No.
Silicon Liquid Gasket (White)	1211AT100
Quick Dry Silicon Liquid Gasket (Black)	1207B100G

FOUR STROKE
INTAKE SYSTEMS
ENGINE/ GASKETS
EXHAUST
DRIVE LINE HANDLING
ELECTRICAL
WATERLINE /BLIGE
STEERING & CONTROLS
BODY
ACCESSORIES SERVICE TOOLS /HARDWARE
CHEMICAL

INDIVIDUAL GASKETS BY SECTION

INTAKE & REED GASKETS (Intake Manifold to Cylinder or Cases)



	Yamaha	OEM#	Part No.
A.	701 Reed	61X-13621	2290
B.	760 W/Rdr Reed/701 96+	62T-13566	2830
C.	701 Top Manifold	61X-13563	2250
D.	701 Lower Manifold	61X-13566	2270
E.	SJ,W/Blster 701 96+/WRdr 701	62T-13556	2820
F.	760 Carb Manifold	64X-13556	3220
G.	800 Carb Manifold	64E-13556	3430
H.	1100/1200 Reed	63M-13566	4430
I.	1100 Carb Manifold	64M-13556	4420
J.	1200 Carb Manifold	64X-14162	4620
K.	GP1200R/XLL1200 Reed		3435

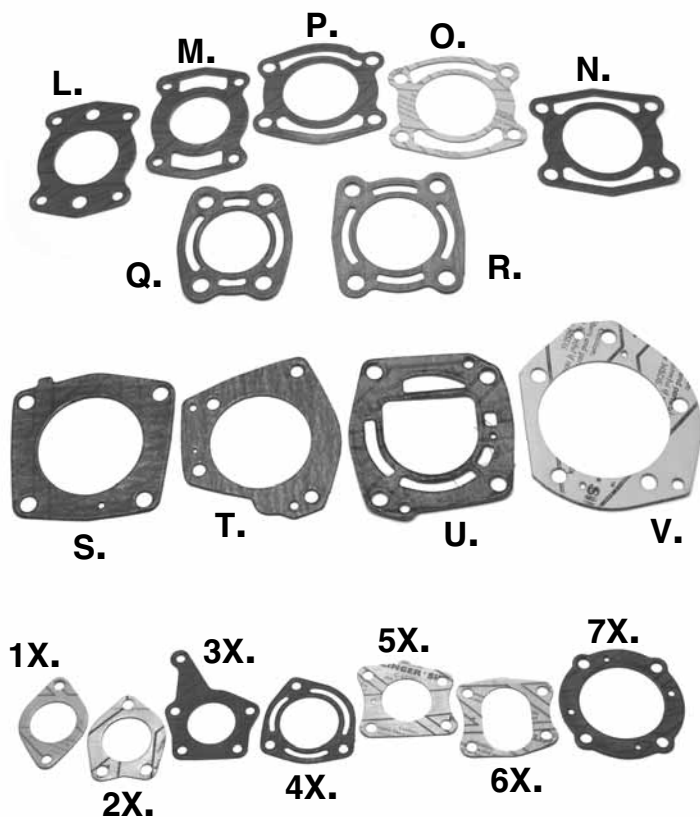
	Yamaha	OEM#	Part No.
	500 Reed	6K8-13261	2030
	650 All Reed	6M6-13621	2280
	650 Top Intake	6M6-13563	2240
	650 Bottom Intake	6M6-13566	2260

	Kawasaki	OEM#	Part No.
	440/550 Intake	11009-3785	5250
	550SX Intake	11009-3788	5650
	550SX Reed	11009-3787	5640
	650 All Reed	11060-3703	5860
	750/900/1100 Engine	11060-3717	7050
	750/900/1100 Reed Carb	11060-3757	7430

	Polaris	OEM#	Part No.
	650/750/780/785 Reed	308448	4050
	900/1050/Reed		4318
	700/Hurricane Reed Engine Side		4317
	700/Hurricane Reed Carb Side		4319



EXHAUST GASKETS



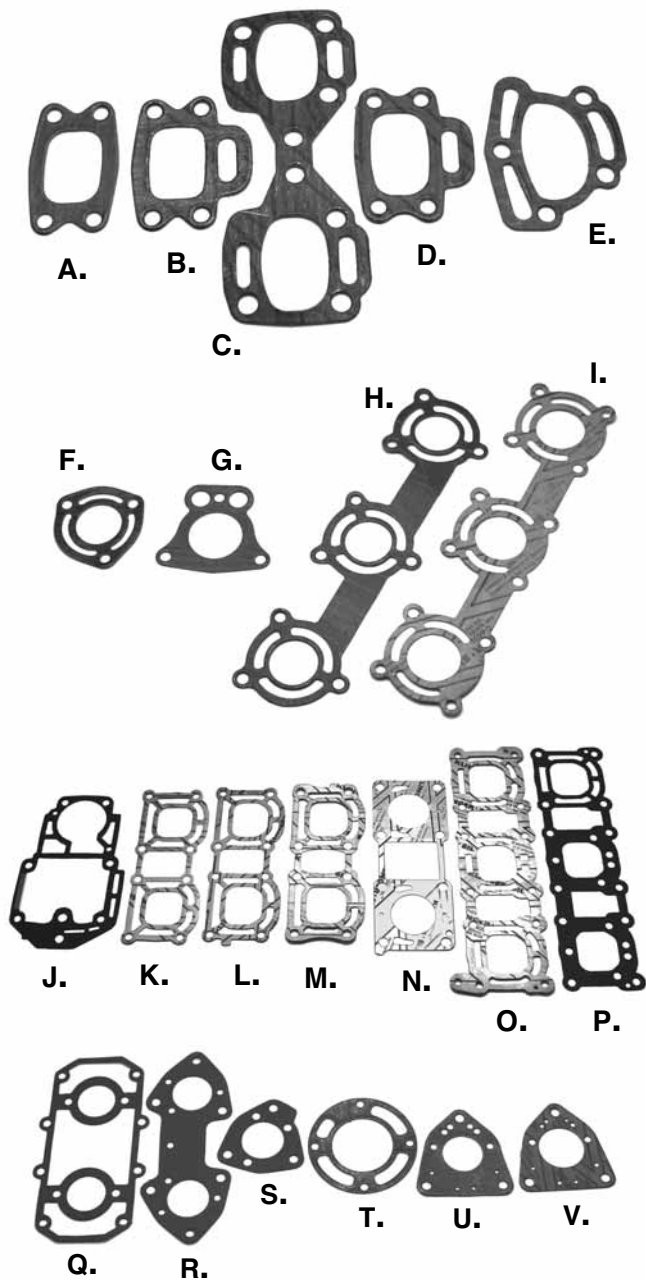
	Sea Doo	OEM#	Part No.
L.	580 -92	290-950-250	6140
M.	580 92+/650/720	290-950-251	6150
N.	785	290-931-500	6155
O.	951 97	290-931-487	6770
P.	951 98+	290-250-080	6775

	Polaris	OEM#	Part No.
Q.	650/750/780/785	5830038	4080
R.	700/Hurricane/900/1050	5830051	4335

	Yamaha	OEM#	Part No.
S.	650/701	6R7-14755	2370
T.	701 WRD 94-95	62T-14749	2870
T.	760	64X-14749	2870
U.	1100/1200	63M-14749	4460
V.	800	66E-14749	3460

	Kawasaki	OEM#	Part No.
1X.	440/550	11009-3051	5290
2X.	650 All (46mm ID)	11009-3752	5900
3X.	750 SX/SX1	11060-3712	7080
4X.	750 SX/SX1 Front	11060-3713	7090
5X.	750 SS 92-95	11060-3720	7100
6X.	750 X1 93-96	11060-3732	7110
7X.	900	11060-3755	7480
	1100	11060-3769	7665

INDIVIDUAL GASKETS BY SECTION (Cylinder to Manifold)



EXHAUST MANIFOLD GASKETS

(cylinder to manifold)

Sea Doo	OEM#	Part No.
A. 580 All -91	420-850-632	6050
B. 580 All 92+	290-850-635	6060
C. 785	290-931-480	6082
D. 650/720	290-850-637	6080
E. 951	290-250-081	6760

Polaris	OEM#	Part No.
F. 650/750	5211489	4070
G. 700/Hurricane/900/1050	5811045	4330
H. 780	5211623	4077
I. 785	5211725	4078

Yamaha	OEM#	Part No.
J. 500	6K8-45113	2140
K. 650 All	6M6-14613	2310
L. 701	61X-14613	2330
M. 701/760 W/Rdr	62T-14613	2850
N. 800	66E-14613	3450
O. 1100	63M-14613	4450
P. 1200	65W-14613	4650

Kawasaki	OEM#	Part No.
Q. 440/550	11009-3779	5280
R. 650 (86-90)	11060-3739	5880
S. 650/750 (2 required)	11060-3759	7070
T. 750 SS-X1	11060-3718	7120
U. 900	11060-3756	7450
V. 1100	11060-3767	7650

FOUR STROKE	INTAKE SYSTEMS	ENGINE/ GASKETS	EXHAUST	DRIVE LINE HANDLING	ELECTRICAL	WATERLINE /BLIGE	STEERING & CONTROLS	BODY	ACCESSORIES	SERVICE TOOLS /HARDWARE	CHEMICAL
-------------	----------------	-----------------	---------	---------------------	------------	------------------	---------------------	------	-------------	-------------------------	----------



INDIVIDUAL GASKETS BY SECTION



BASE GASKETS

Sea Doo	OEM#	Part No.
580 -91	290-850-775	6000
580 92+/650	290-931-161	6020.3
580 92+/650	290-931-162	6020.4
580 92+/650	290-931-163	6020.5
580 92+/650	290-931-164	6020.6
580 92+/650	290-931-165	6020.8
720 0.3mm	290-931-400	6025.3
720 0.4mm	290-931-401	6025.4
720 0.5mm	290-931-402	6025.5
720 0.6mm	290-931-403	6025.6
720 0.8mm	290-931-404	6025.8
785 0.3mm	290-931-720	6035.3
785 0.4mm	290-931-721	6035.4
785 0.5mm	290-931-722	6035.5
785 0.6mm	290-931-723	6035.6
785 0.8mm	290-931-724	6035.8
951 97	290-931-680	6730.3
951 97	290-931-681	6730.4
951 97	290-931-682	6730.6
951 98+	290-931-685.5	6732.5
951 98+	290-931-686.6	6732.6
951 98+	290-931-687.8	6732.8

Polaris	Part No.
650/750/780/785	4040
700/Hurricane/900/1050	4315

Yamaha	OEM#	Part No.
760	6M6-11351-A200	3205
650/701 All		2220
GP800	66E-11351-0000	3420
1100/1200	63M-11351-010	4415

Kawasaki	OEM#	Part No.
440 All		5240
550 80-90	11009-3782	5430
550 91-93	11009-3780	5635
550 91-93 Copper	—	51-2417
650 All	11009-3775	5850
750 All	11060-3711	7040
900	11060-3752	7420
1100	11060-3760	7615



HEAD PIPE GASKET FOR AFTERMARKET

Pipe	Part No.
Riva WaveRaider (3 Hole)	9070
R&D 3 Bolt	9080
R&D 4 Bolt	9090
Factory Pipe All (46mm ID)	5900
Factory Pipe 785 (Spec 1)	6155
Factory Pipe 785 (Spec 2)	6158
Factory Pipe Sea Doo 650/720	9010
Factory Pipe Kaw 550 LTD	9000
Coffman Pipe 550 Climax	9020
Coffman 750 SX Rocket Mod	9030
Coffman 750 SS, XI, ST Rocket	7100A
Coffman 750 XI (Hurricane)	7105



R&D Dominator Base Gaskets

Yamaha	Thickness	Part No.
Superjet	.020" - 0.5mm	070-00020
Superjet	.040" - 1.0mm	070-00040
Superjet	.060" - 1.5mm	070-00060
Kaw 750/800	.060" - 1.5mm	071-00060



CARBURETOR BASE GASKETS

Description	Fiber	Green
Mikuni 38mm	5030	9230
Mikuni 40mm	6107	9235
Mikuni 44mm	5460	9240
Mikuni 46mm	9245	9250
Mikuni 48mm		9252
Mikuni 48mm (SD951 I Series)		6740
Mikuni 50mm		9257
Keihin 42mm	9210	9220
Keihin 38mm	5660	9200
Keihin 40mm	7060	9205



HIGH PERFORMANCE BASE GASKETS

Kawasaki	Thickness	Part No.
800 SXR	.020" - 0.5mm*	B0075020C
800 SXR	.030" - 0.75mm**	7040C
800 SXR	.040" - 1.00mm**	7040D
800 SXR	.050" - 1.25mm**	7040E
800 SXR	.060" - 1.50mm**	7040F

*Metal Gasket **Fiber gasket with a metal core



2011 APBA HOT PRODUCTS
MARK HAHN MEMORIAL HAVASU 300

LIVING LEGEND AND TUNER, R&D'S BILL CHAPIN (LEFT) AND CIRCUIT JET SPORTS GREG BEAVER (RIGHT) TAKE TIME TO CATCH UP DURING THE MARK HAHN EVENT.

BOTH CHAPIN AND BEAVER WERE PART OF THE PREMIER COMPANY "PJS" (PERFORMANCE JET SKI) BACK IN THE LATE 1980'S.





OEM REPLACEMENT AFTERMARKET OIL FILTERS

Sea Doo	Part No.
A. All Sea Doo Four Stroke	006-560
B. All Sea Doo Four Stroke Oil Filter Cap	006-562

Yamaha	Part No.
All Yamaha Four Stroke OEM #594-13440-00-00	006-563



HYDRO-TURF OIL EXTRACTOR

The unit uses a small vacuum system, which pumps fluid through a hose to the 6-liter reservoir. It also includes a pour spout to aid in emptying the reservoir. Pump is removable for easy storage.

Description	Part No.
Hydro-Turf Oil Extractor	OIL01



SCEPTER FLEXIBLE FUNNEL

Scepter's flexible funnel is perfect for all your PWC uses and really helps perform those difficult maintenance and repair applications. Manufactured from quality, high density polymers: the funnel won't rust, dent, or crack. This means no drips and leaks for you to clean up after your done. The funnel length is 18".

Description	Part No.
Scepter 18" Flexible Funnel	MR03603



**Adapter Kit
Included!**



KN204

KN303



PERFORMANCE GOLD OIL FILTER

- Premium filter media provides outstanding filtration at high-flow rates
- 1-inch nut easy-on/easy wrench-off
- Drilled safety wire holes for racing
- Heavy-duty construction

Sea Doo	OEM#	Part No.
All Sea Doo Four Stroke	420950741	KN556

Yamaha	OEM#	Part No.
1052cc Yamaha Four Stroke	59H-1344-0-00-00	KN303
1812cc Yamaha Four Stroke	69J-13440-01	Not Available

Kawasaki	OEM#	Part No.
All Kawasaki Four Stroke	16097-004	KN204

Honda	OEM#	Part No.
All Honda Four Stroke	15410-NCJ-003	KN204



RULE FLAT TANK ELECTRIC OIL EXTRACTOR

Eliminate those costly yard service fees with the new quick, clean, compact electric oil extractor. Includes a 3-1/2 gallon compact self-priming diaphragm pump for extraction and an easy pour spout for oil transfer.

- 3.5 gallon (13 liter) leak proof container
- Designed for ease of carrying
- Complete with dipstick, suction tube & battery clamps
- Empties and stows easily
- Self-priming, dry running, 12 or 24 volt diaphragm pump

Description	Part No.
Electric Oil Extractor	17860-0012

FLUID EXTRACTOR

- Empties oil in 15 pumps or less
- Extracts warm or cold oil
- Pressure relief valve allows easy transportation and storage
- Single-hand-ease effortless operation
- Tethered cap
- Delivers gulp-free, mess-free performance
- Complete adapter kit is included featuring three extraction tubes

Description	Part No.
Fluid Extractor (6.5 Liter Fluid Extractor)	CJ-169-S
Fluid Extractor Tube Replacement Kit	MR08032

**Note: Not for use with gasoline.*

FOUR STROKE
INTAKE SYSTEMS
ENGINE/GASKETS
EXHAUST
DRIVE LINE HANDLING
ELECTRICAL
WATERLINE /BLIGE
STEERING & CONTROLS
BODY
ACCESSORIES
SERVICE TOOLS /HARDWARE
CHEMICAL